

NOTE- PERFORMANCE AS PER ISO 9906 GRADE-2B

PERFORMANCE CURVE OF 150MA @1465 R.P.M

150MA/X/201654

**FISHER PUMP**

CSC RANGE

MODEL 150MA

WORKING PRESS. 12 bar

SIZE 200x150-335

TEST PRESS. 18 bar

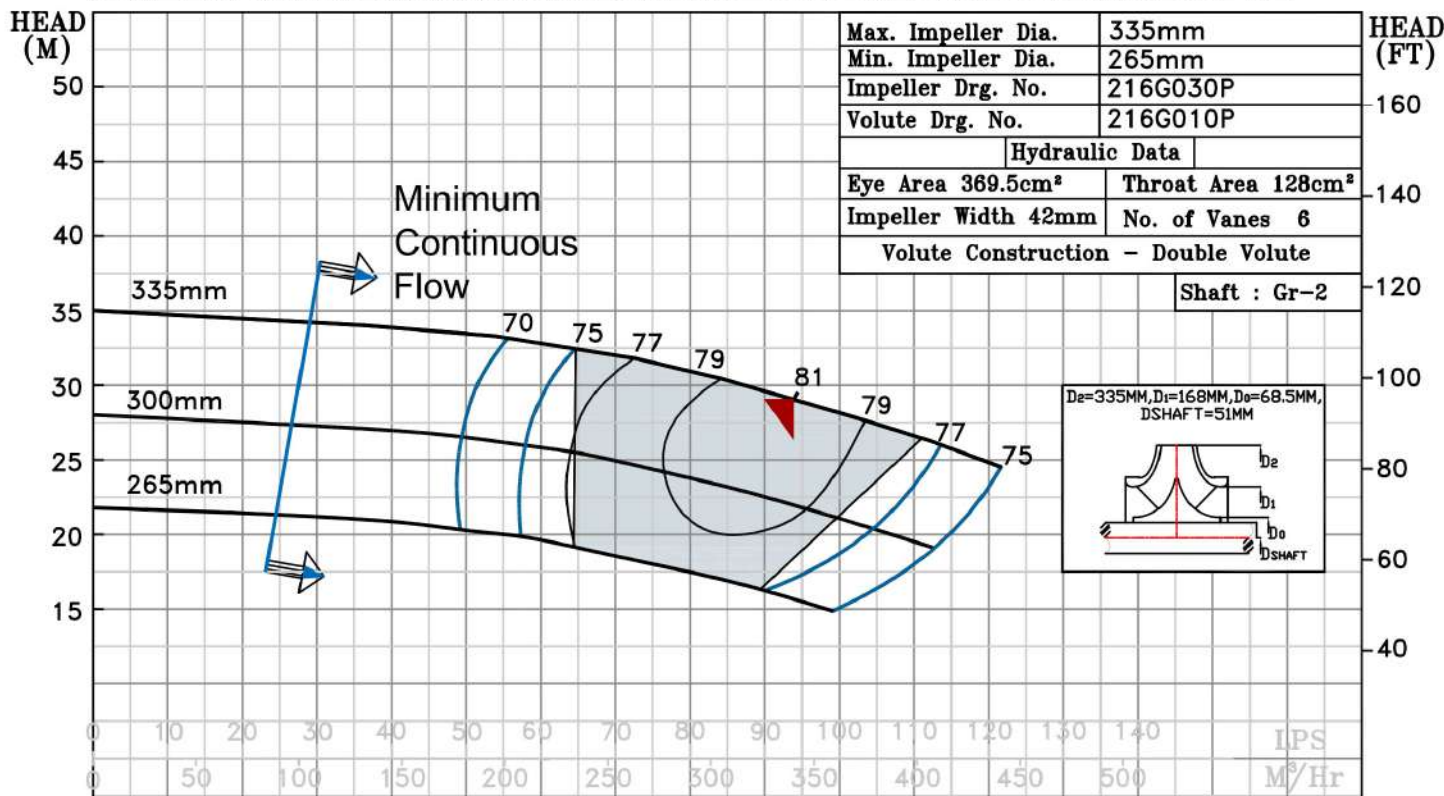
TYPE-AXIALLY SPLIT CASE SINGLE STAGE

SPEED 1465 rpm

SHADED REGION ON THE H-Q CURVE REPRESENTS OPTIMUM SELECTION ZONE

DATE - 10.08.14

PUMP PERFORMANCE CHARACTERISTICS COMPUTED BASED ON CLEAN COLD WATER S.G 1.0



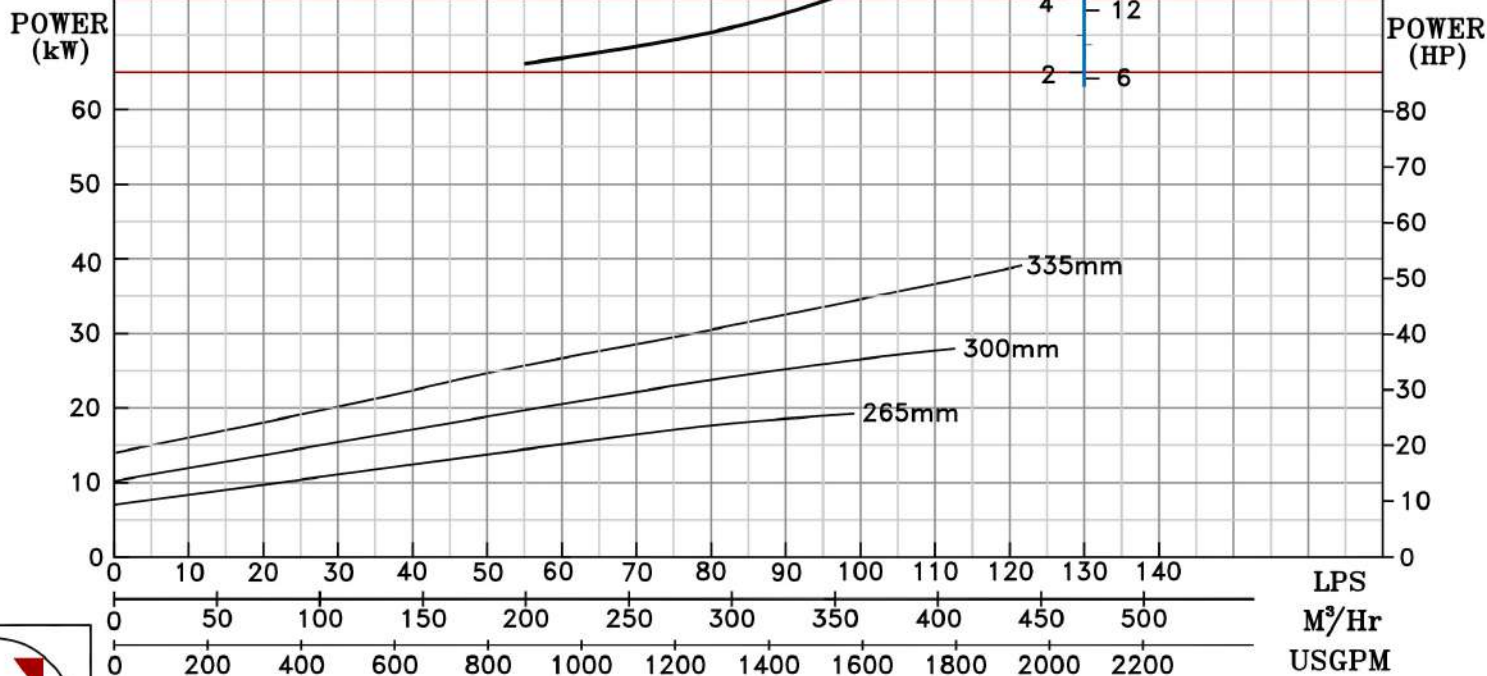
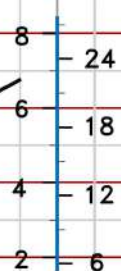
Max. Impeller Dia.	335mm
Min. Impeller Dia.	265mm
Impeller Drg. No.	216G030P
Volute Drg. No.	216G010P

Hydraulic Data	
Eye Area 369.5cm <sup>2</sup>	Throat Area 128cm <sup>2</sup>
Impeller Width 42mm	No. of Vanes 6
Volute Construction - Double Volute	

Shaft : Gr-2

B.E.P Flow	338.4 M <sup>3</sup> /Hr.
B.E.P Head	29.07 M
Speed	1465 R.P.M
Ns : 1852 US UNITS	

NPSHr  
(M) (FT)



1465 RPM

