

NOTE- PERFORMANCE AS PER ISO 9906 GRADE-2B

PERFORMANCE CURVE OF 250HH @1480 R.P.M

250HH/X/203254

FISHER PUMP

CSC RANGE

MODEL 250HH WORKING PRESS. 16 bar

SIZE 300x250-440 TEST PRESS. 24 bar

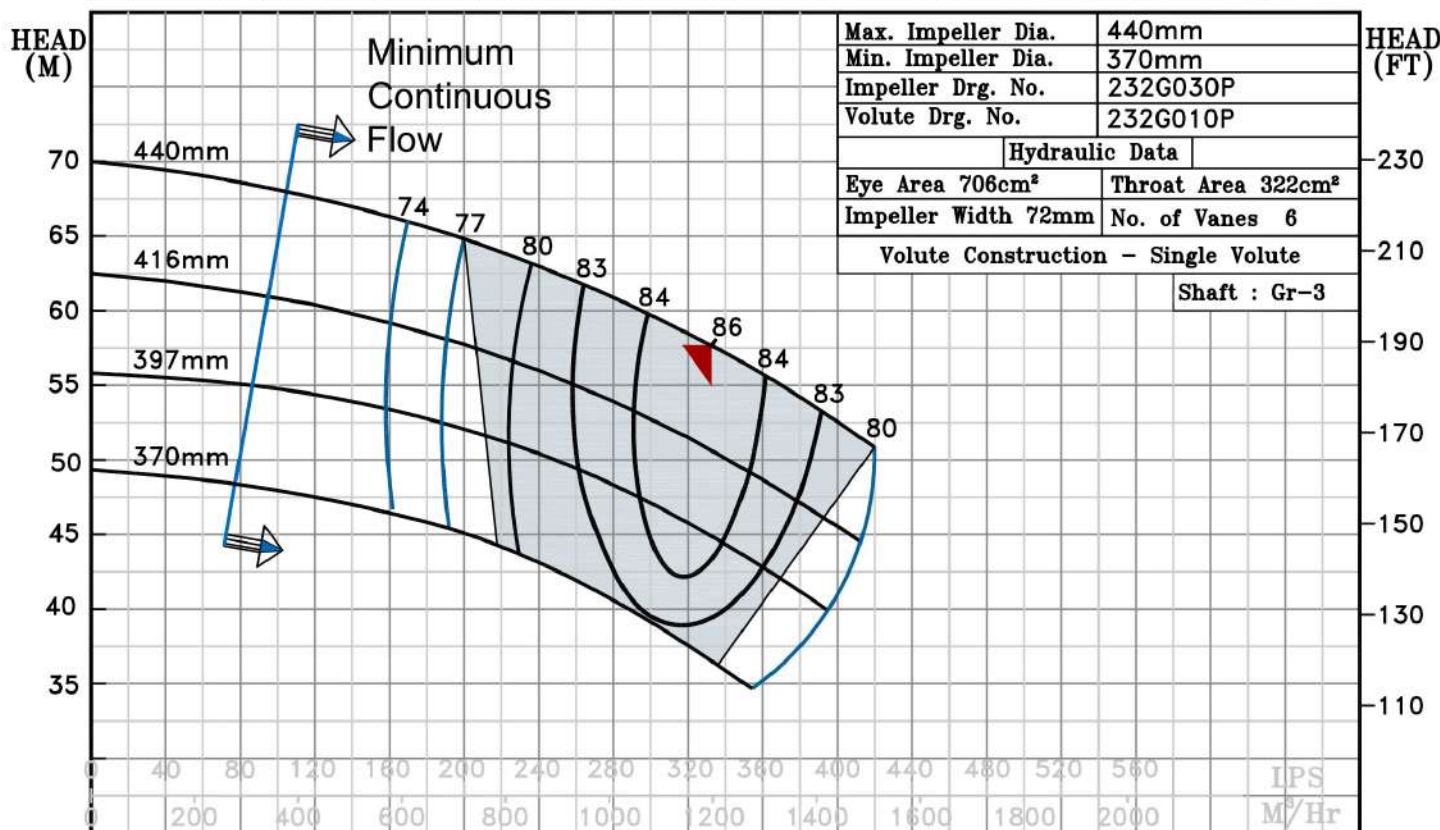
TYPE-AXIALLY SPLIT CASE SINGLE STAGE

SPEED 1480 rpm

DATE - 10.08.14

SHADED REGION ON THE H-Q CURVE REPRESENTS OPTIMUM SELECTION ZONE

PUMP PERFORMANCE CHARACTERISTICS COMPUTED BASED ON CLEAN COLD WATER S.G 1.0

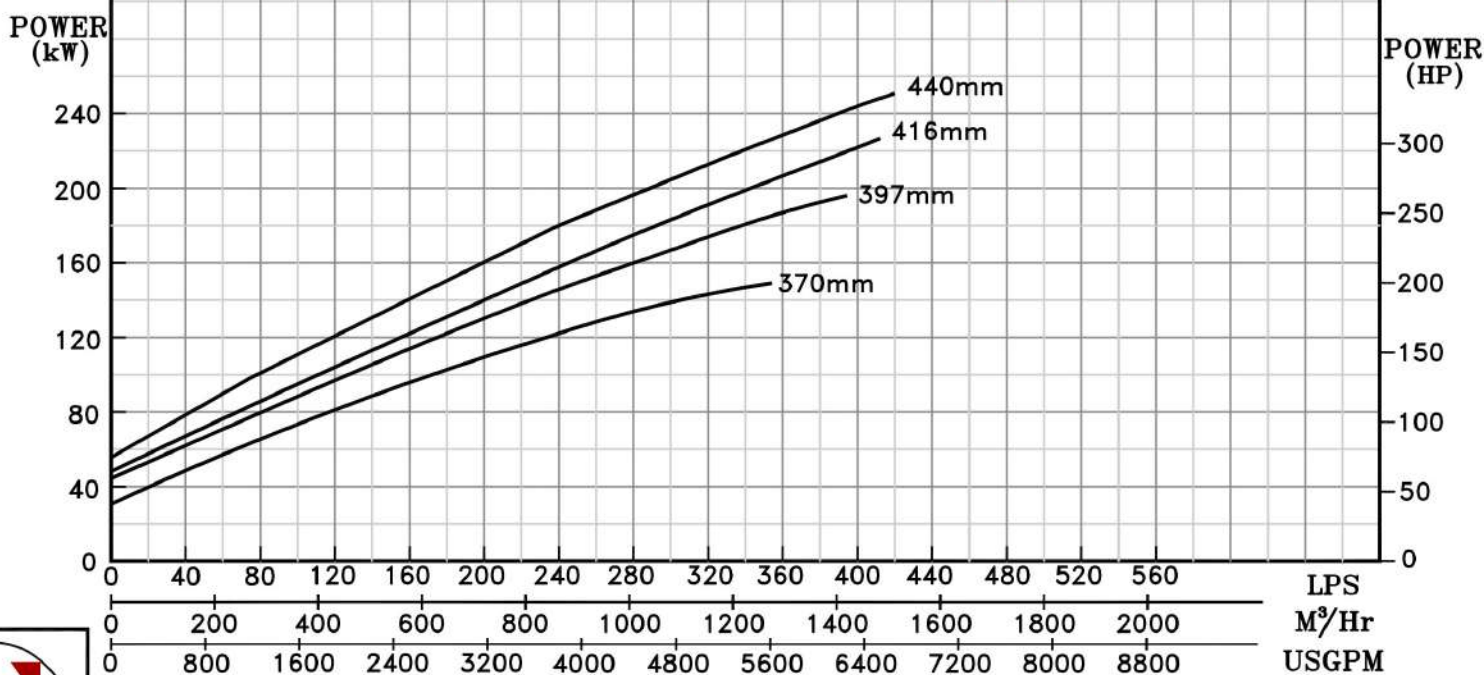


Max. Impeller Dia.	440mm
Min. Impeller Dia.	370mm
Impeller Drg. No.	232G030P
Volute Drg. No.	232G010P

Hydraulic Data	
Eye Area 706cm ²	Throat Area 322cm ²
Impeller Width 72mm	No. of Vanes 6
Volute Construction - Single Volute	
Shaft : Gr-3	

B.E.P Flow	1200 M ³ /Hr.
B.E.P Head	58 M
Speed	1480 R.P.M
Ns : 2098 US UNITS	

NPSHr	
(M)	(FT)
8	24
6	18
4	12



1480 RPM