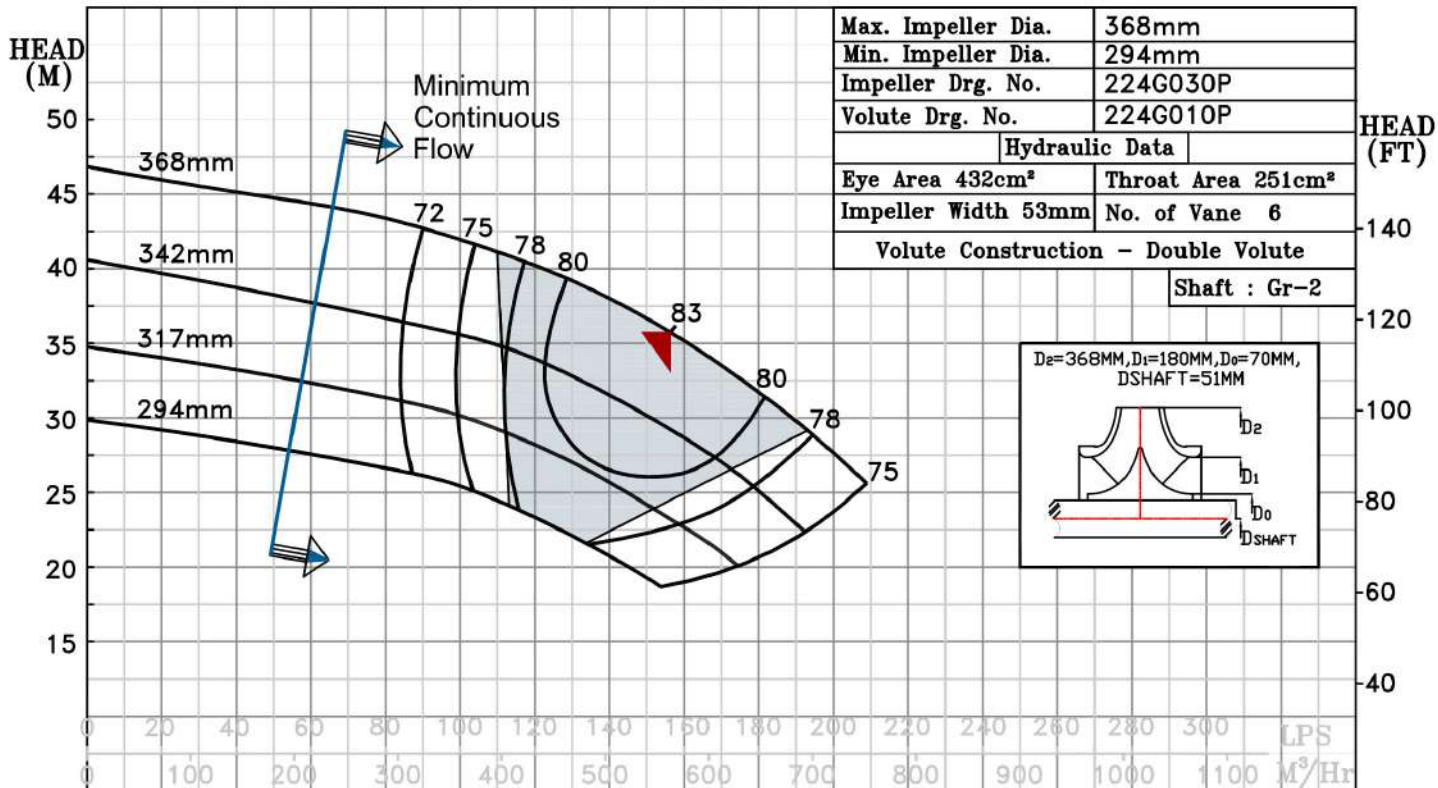


NOTE- PERFORMANCE AS PER ISO 9906-GRADE-2B

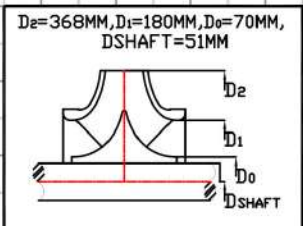
PERFORMANCE CURVE OF 200MB @1480 R.P.M		200MB/Y/202454	
FISHER PUMP	MODEL 200MB	WORKING PRESS.	12 bar
	SIZE 200x200-368	TEST PRESS.	18 bar
	TYPE-AXIALLY SPLIT CASE SINGLE STAGE		
<i>CSC RANGE</i>	SPEED 1480 rpm		DATE - 10.12.14

SHADED REGION ON THE H-Q CURVE REPRESENTS OPTIMUM SELECTION ZONE

PUMP PERFORMANCE CHARACTERISTICS COMPUTED BASED ON CLEAN COLD WATER S.G 1.0

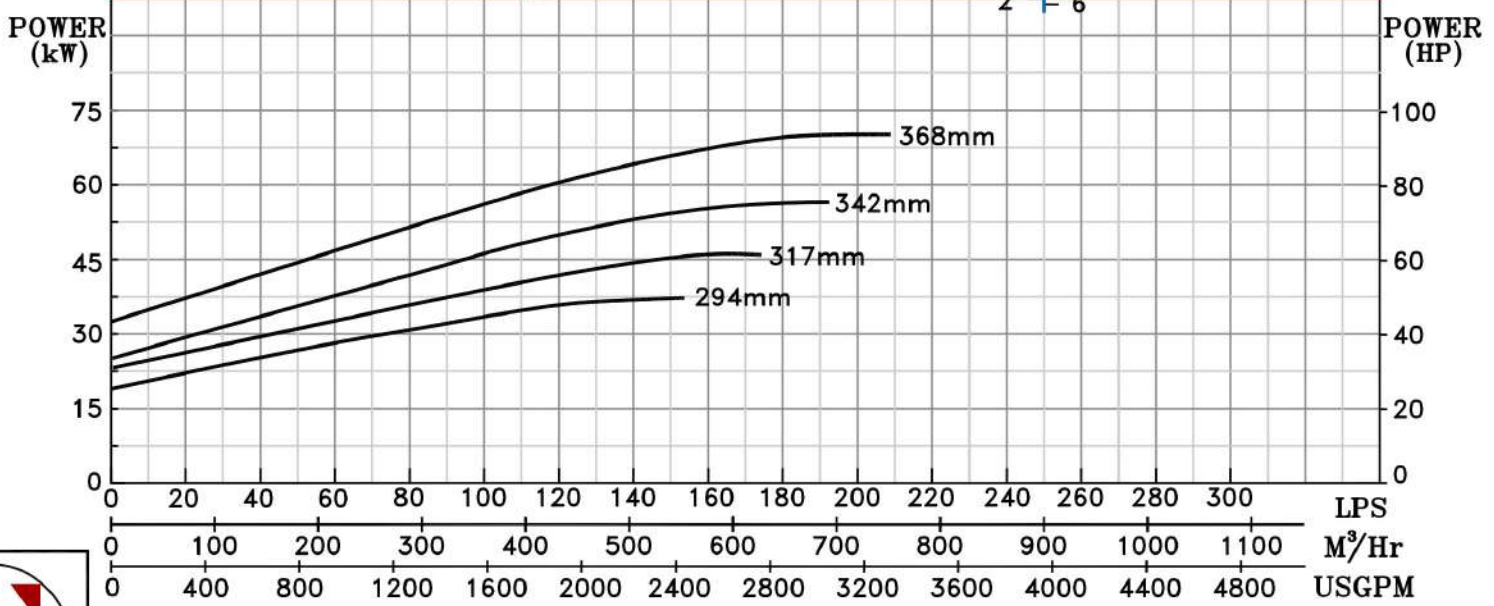


Max. Impeller Dia.	368mm
Min. Impeller Dia.	294mm
Impeller Drg. No.	224G030P
Volute Drg. No.	224G010P
Hydraulic Data	
Eye Area 432cm ²	Throat Area 251cm ²
Impeller Width 53mm	No. of Vane 6
Volute Construction - Double Volute	
Shaft : Gr-2	



B.E.P Flow	564 M ³ /Hr.
B.E.P Head	35.8 M
Speed	1480 R.P.M
N _s	2068 US UNITS

NPSH _r	
(M)	(FT)
8	24
6	18
4	12
2	6



1480 RPM