

NOTE- PERFORMANCE AS PER ISO 9906 GRADE-2B

PERFORMANCE TEST CURVE OF 100HA @1465 R.P.M

100HA/Y/201054

FISHER PUMP

CSC RANGE

MODEL 100HA	WORKING PRESS	12 bar
SIZE 125x100-410	TEST PRESS.	18 bar
TYPE-AXIALLY SPLIT CASE SINGLE STAGE		
SPEED 1465 rpm		

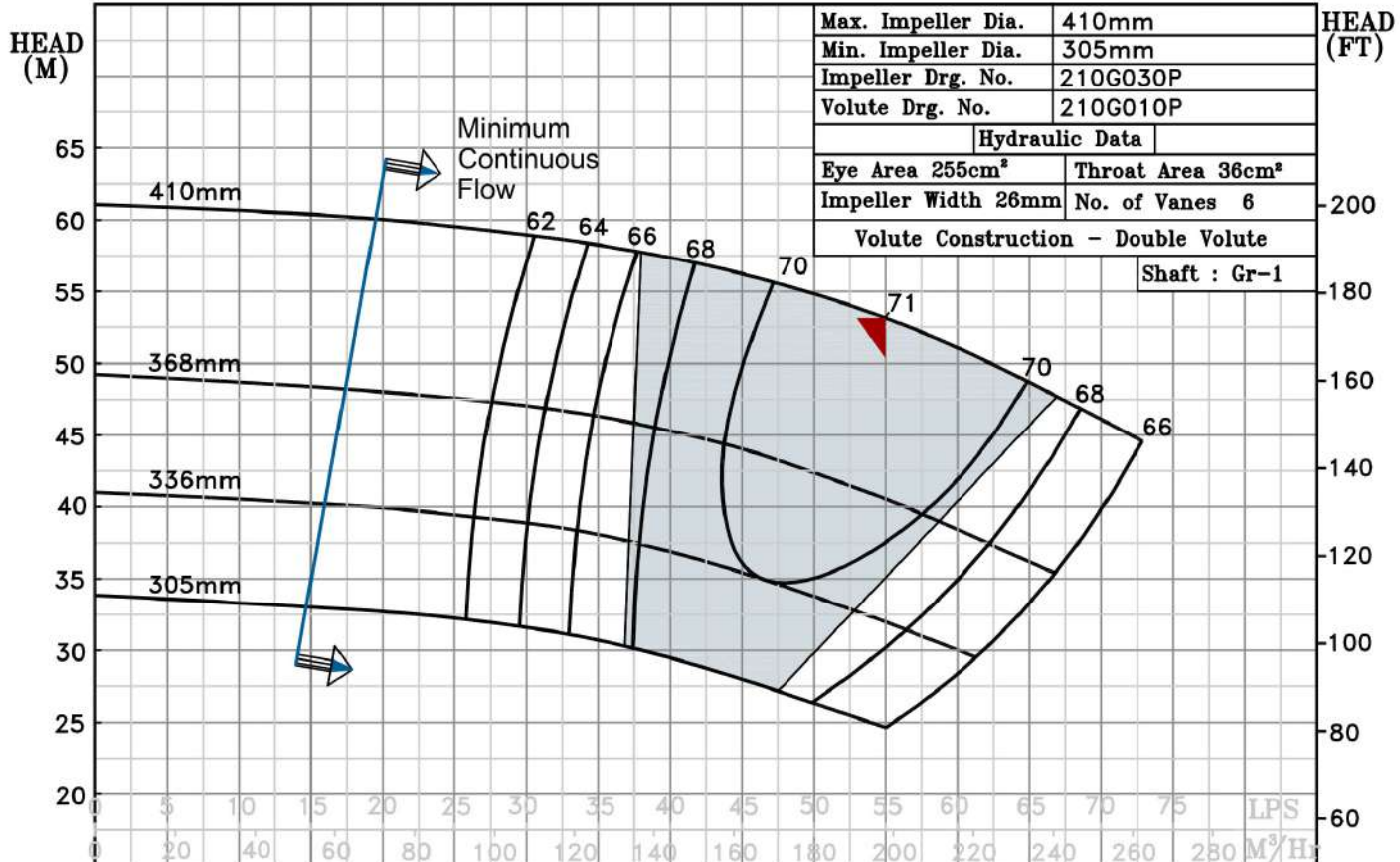
SHADED REGION ON THE H-Q CURVE REPRESENTS OPTIMUM SELECTION ZONE

DATE - 10.12.14

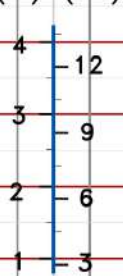
PUMP PERFORMANCE CHARACTERISTICS COMPUTED BASED ON CLEAN COLD WATER S.G 1.0

Max. Impeller Dia.	410mm
Min. Impeller Dia.	305mm
Impeller Drg. No.	210G030P
Volute Drg. No.	210G010P
Hydraulic Data	
Eye Area 255cm ²	Throat Area 36cm ²
Impeller Width 26mm	No. of Vanes 6
Volute Construction - Double Volute	

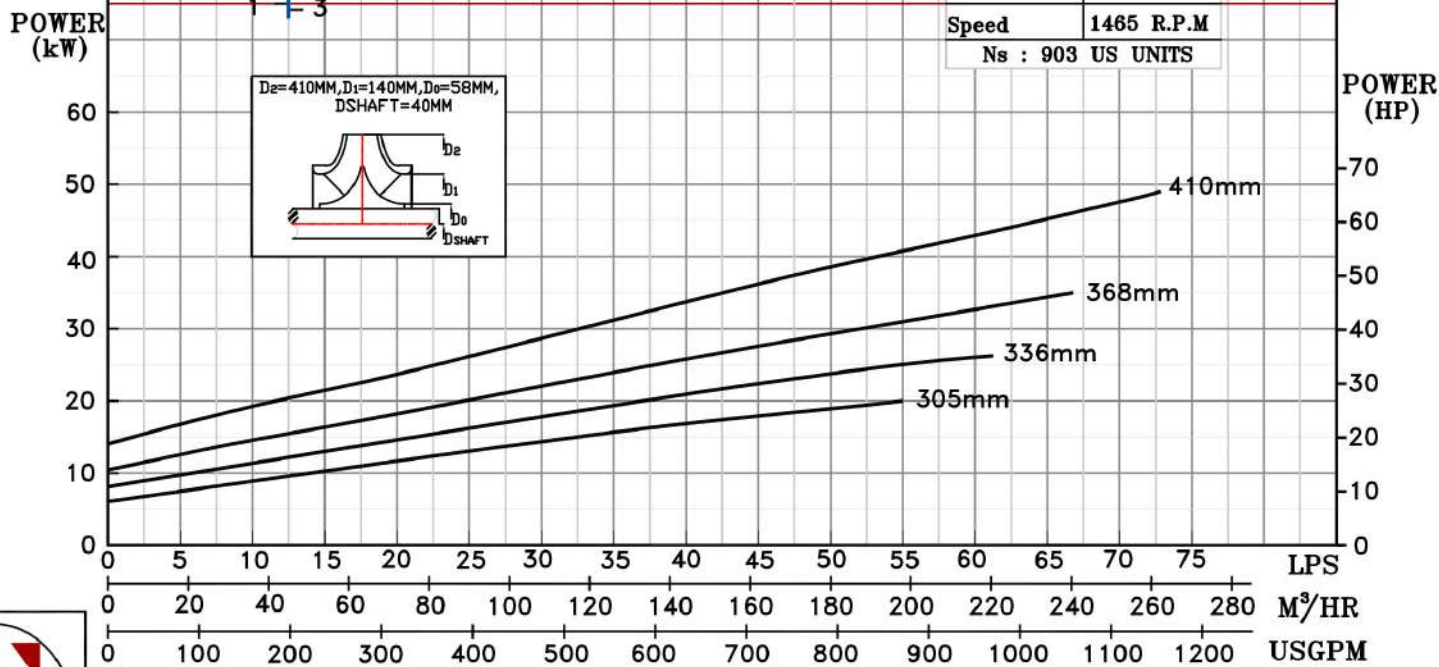
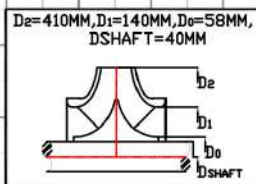
Shaft : Gr-1



NPSHr
(M) (FT)



B.E.P Flow	198 M ³ /Hr.
B.E.P Head	53 M
Speed	1465 R.P.M
Ns : 903 US UNITS	



1465 RPM