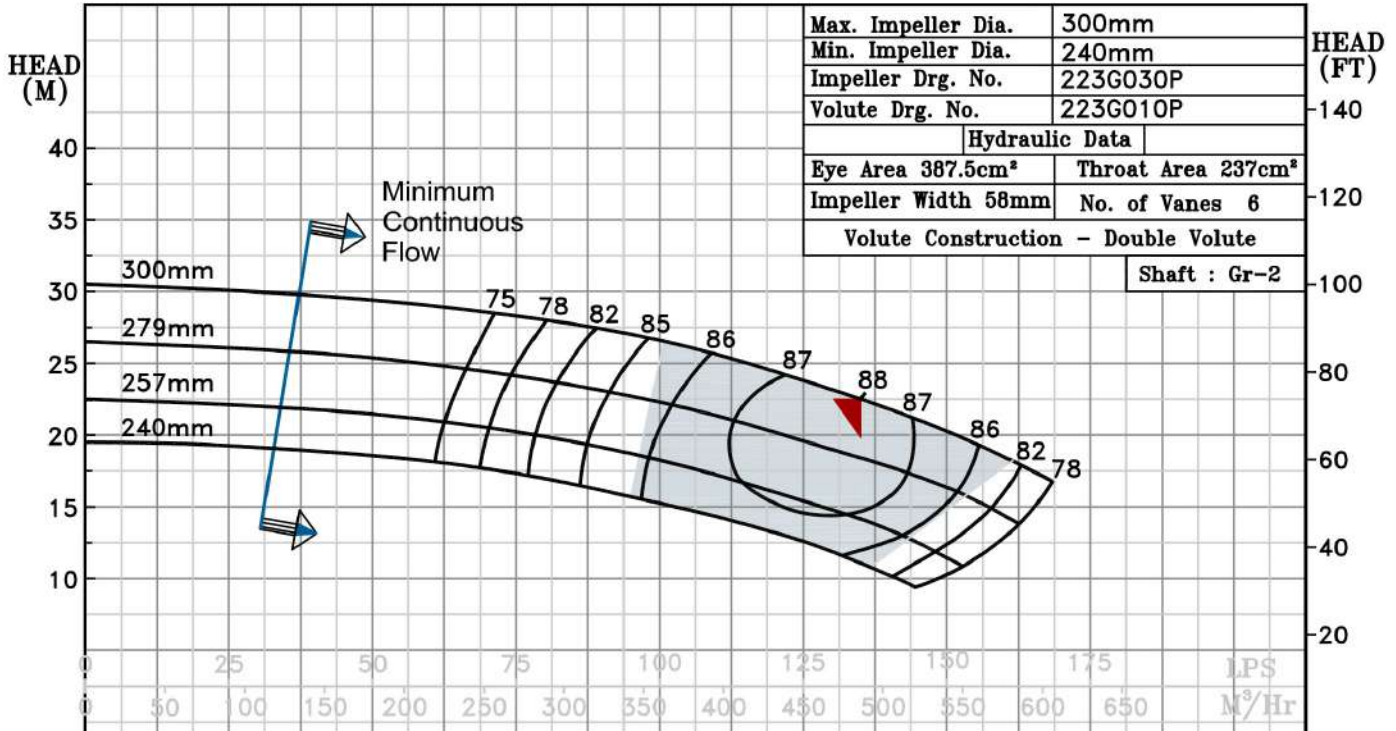


NOTE- PERFORMANCE AS PER ISO 9906 GRADE-2B

PERFORMANCE CURVE OF 200LC @1480 R.P.M		200LC/Y/202354	
FISHER PUMP	MODEL 200LC	WORKING PRESS.	12 bar
	SIZE 200x200-300	TEST PRESS.	18 bar
CSC RANGE		TYPE-AXIALLY SPLIT CASE SINGLE STAGE	
		SPEED 1480 rpm	

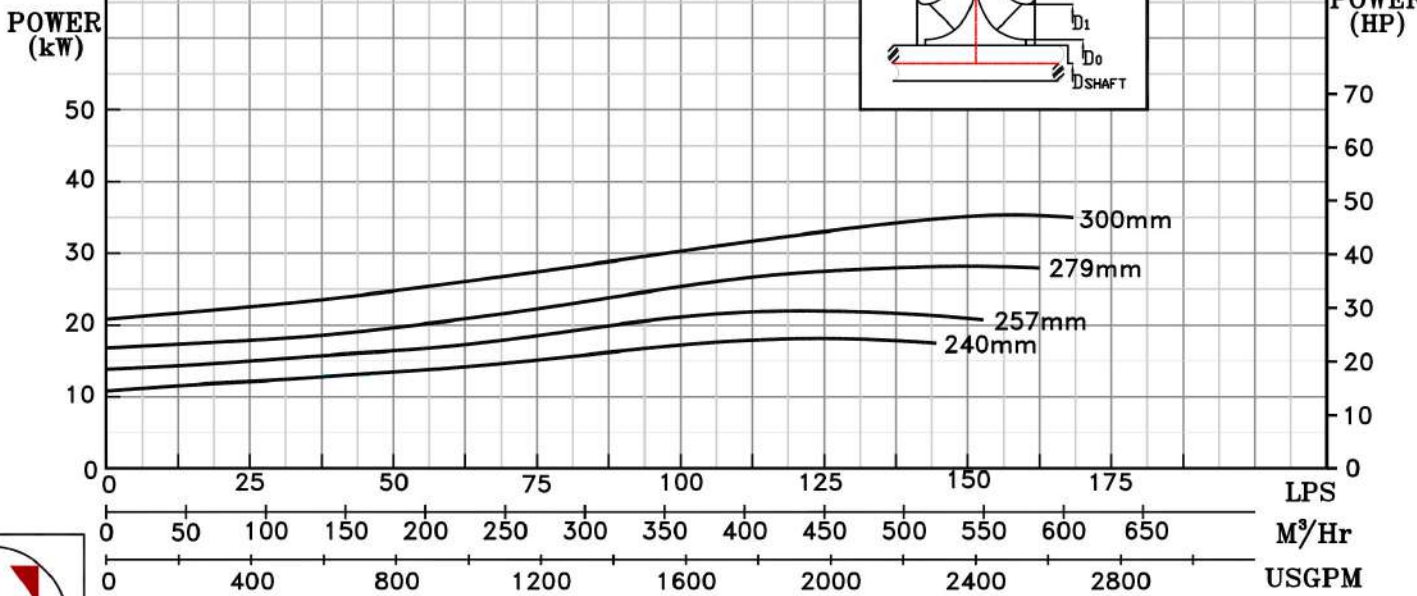
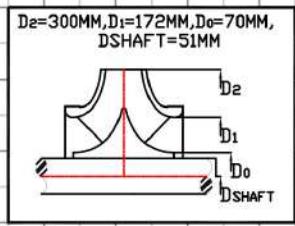
SHADED REGION ON THE H-Q CURVE REPRESENTS OPTIMUM SELECTION ZONE
 PUMP PERFORMANCE CHARACTERISTICS COMPUTED BASED ON CLEAN COLD WATER S.G 1.0



Max. Impeller Dia.	300mm
Min. Impeller Dia.	240mm
Impeller Drg. No.	223G030P
Volute Drg. No.	223G010P
Hydraulic Data	
Eye Area 387.5cm ²	Throat Area 237cm ²
Impeller Width 58mm	No. of Vanes 6
Volute Construction - Double Volute	
Shaft : Gr-2	



B.E.P Flow	485 M ³ /Hr.
B.E.P Head	22.7 M
Speed	1480 R.P.M
Ns : 2698 US UNITS	



1480 RPM