

NOTE- PERFORMANCE AS PER ISO 9906 GRADE-2B

PERFORMANCE TEST CURVE OF 100LA @1480 R.P.M

100LA/Y/200854

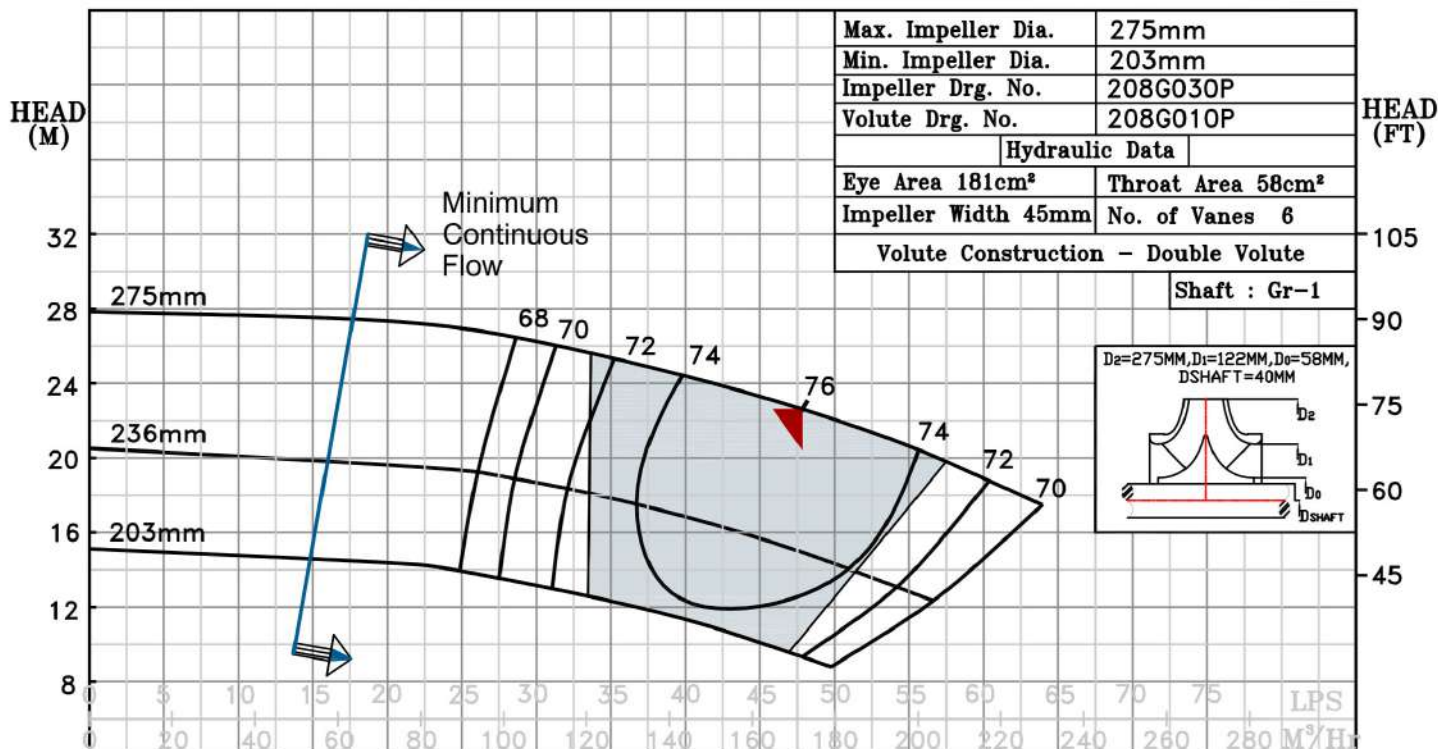
**FISHER PUMP**

CSC RANGE

MODEL 100LA	WORKING PRESS. 12 bar
SIZE 125x100-275	TEST PRESS. 18 bar
TYPE-AXIALLY SPLIT CASE SINGLE STAGE	
SPEED 1480 rpm	
DATE - 10.12.14	

SHADED REGION ON THE H-Q CURVE REPRESENTS OPTIMUM SELECTION ZONE

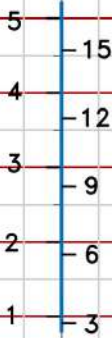
PUMP PERFORMANCE CHARACTERISTICS COMPUTED BASED ON CLEAN COLD WATER S.G 1.0



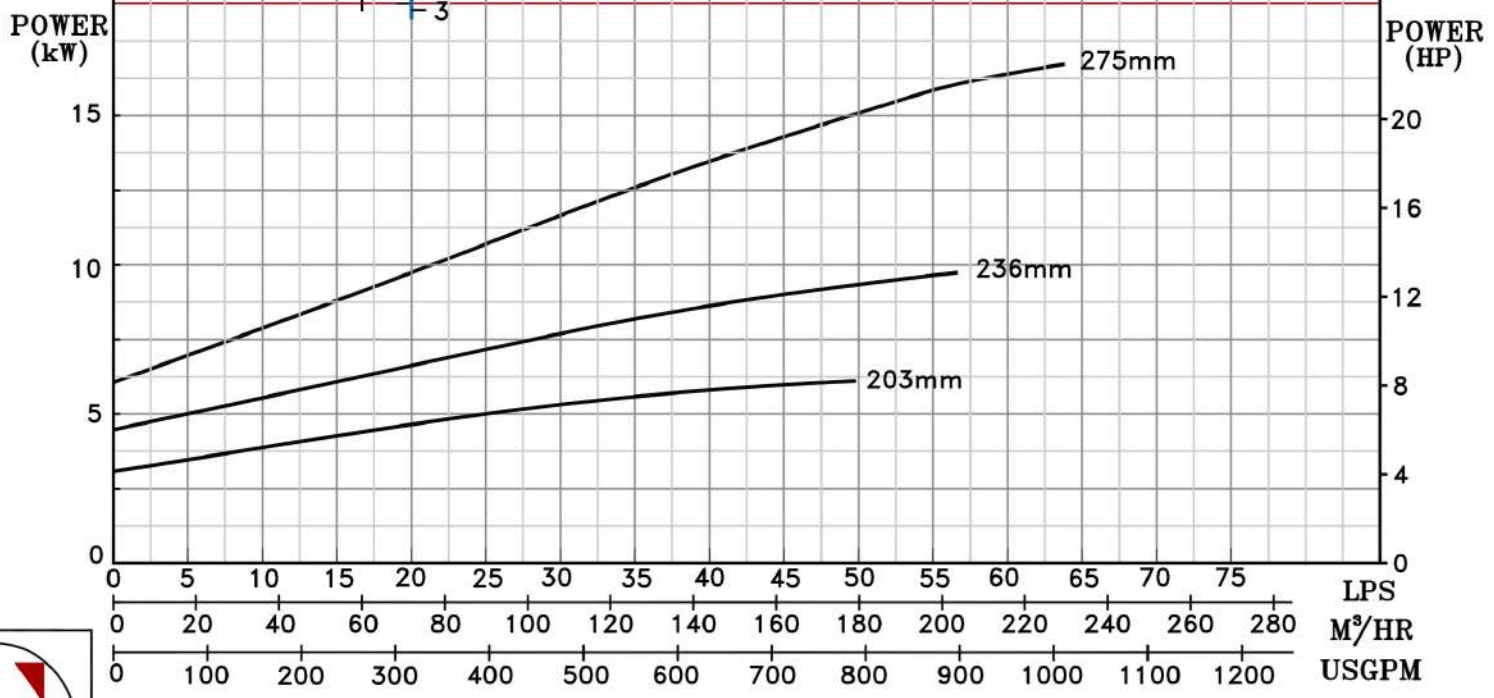
Max. Impeller Dia.	275mm
Min. Impeller Dia.	203mm
Impeller Drg. No.	208G030P
Volute Drg. No.	208G010P
Hydraulic Data	
Eye Area 181cm <sup>2</sup>	Throat Area 58cm <sup>2</sup>
Impeller Width 45mm	No. of Vanes 6
Volute Construction - Double Volute	

Shaft : Gr-1

NPSHr  
(M) (FT)



B.E.P Flow	173 M <sup>3</sup> /Hr.
B.E.P Head	22.5 M
Speed	1480 R.P.M
Ns : 1621 US UNITS	



1480 RPM