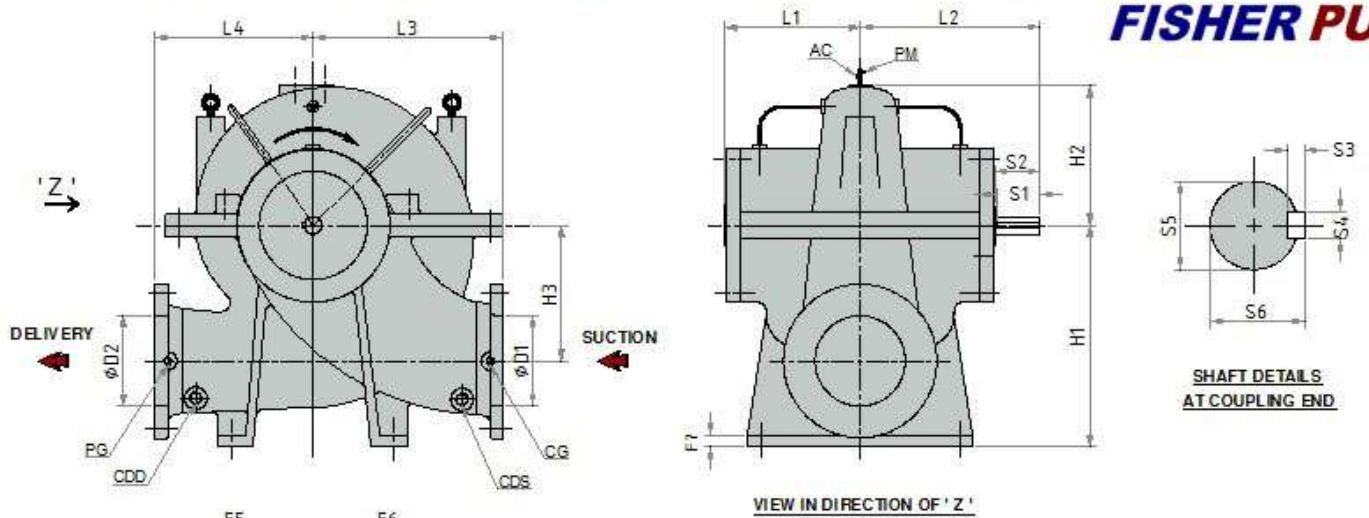
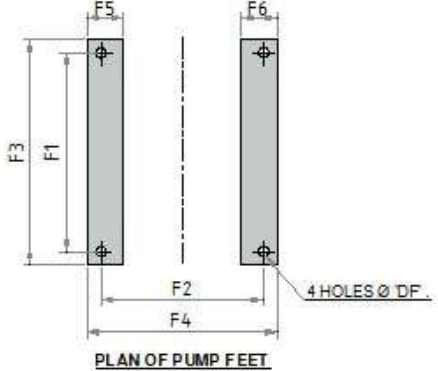


GENERAL ARRANGEMENT DRAWING FOR SINGLE STAGE THROUGH BORE PUMPS

FISHER PUMP



VIEW IN DIRECTION OF 'Z'



PLAN OF PUMP FEET

ITEM	DESCRIPTION	SHAFT GROUP		
		1	2	3
CG	COMP. GAUGE FOR SUCTION	1/4" NPT	3/8" NPT	3/8" NPT
PG	PR. GAUGE FOR DELIVERY	1/4" NPT	3/8" NPT	3/8" NPT
AC	AIR COCK	3/8" NPT	3/8" NPT	3/8" NPT
PM	PRIMING	3/8" NPT	3/8" NPT	3/8" NPT
CDS	CASING DRAIN(SUCT.SIDE)	3/8" NPT	3/4" NPT	3/4" NPT
CDD	CASING DRAIN(DELV.SIDE)	3/8" NPT	3/4" NPT	3/4" NPT

FLANGE RATING	PN STANDARD	ANSI STANDARD
SUCTION FLANGE RATING	PN 16	ANSI 125#
DELIVERY FLANGE RATING	PN 16	ANSI 125#

GROUP	SHAFT END DETAILS					
	S1	S2	S3	S4	S5	S6
1	75	95	7	8	29	32
2	95	100	8	12	39	42
3	110	125	10	16	54	58

CSC RANGE

COMPACT SPLIT CASE PUMPS



SERIAL	PUMP	SIZE		SHAFT	OVERALL DIMENSIONS								MOUNTING DIMENSIONS								SHAFT END						APPROX
NO.	MODEL	D1	D2	GROUP	H1	H2	H3	L1	L2	L3	L4	F1	F2	F3	F4	F5	F6	F7	DF	S1	S2	S3	S4	S5	S6	WT(Kg)	
1	50LA	80	50	GR-1	190	125	105	243.5	309	230	230	150	250	175	290	50	50	20	16	54	65.5	7	8	29	32	85	
2	50MA	80	50	GR-1	230	150	130	243.5	309	255	255	180	348	260	415	60	60	20	16	54	65.5	7	8	29	32	105	
3	65LA	80	65	GR-1	245	185	160	243.5	309	250	210	200	250	240	290	60	60	20	16	54	65.5	7	8	29	32	150	
4	65MA	80	65	GR-1	300	225	200	243.5	309	300	250	248	310	292	355	70	70	22	16	54	65.5	7	8	29	32	160	
5	80LA	100	80	GR-1	280	190	180	243.5	309	280	210	200	250	240	290	70	70	20	16	54	65.5	7	8	29	32	160	
6	80MA	100	80	GR-1	325	232	218	243.5	309	330	250	248	310	292	355	70	70	22	16	54	65.5	7	8	29	32	198.5	
7	80HA	100	80	GR-1	360	260	240	243.5	309	370	280	280	360	330	400	70	70	20	16	54	65.5	7	8	29	32	240	
8	100LA	125	100	GR-1	310	210	195	263.5	358	295	220	290	255	340	310	75	75	20	24	75	95	7	8	29	32	196.5	
9	100MA	125	100	GR-1	360	235	218	263.5	358	350	286	290	358	340	438	100	100	20	18	75	95	7	8	29	32	268.5	
10	100HA	125	100	GR-1	350	280	250	263.5	358	385	300	290	255	340	310	75	75	20	22	75	95	7	8	29	32	250	
11	125LA	150	125	GR-1	360	235	220	263.5	358	350	250	250	310	300	355	70	70	22	16	75	95	7	8	29	32	260	
12	125MA	150	125	GR-1	390	250	227	263.5	358	375	300	290	408	340	486	100	100	20	18	75	95	7	8	29	32	315	
13	125HA	150	125	GR-2	425	290	250	299.5	398.5	380	325	370	360	420	420	80	80	25	22	95	100	8	12	39	42	363.5	
14	125HH	150	125	GR-2	425	300	290	299.5	398.5	380	300	370	360	420	420	80	80	25	22	95	100	8	12	39	42	285	
15	150LA	200	150	GR-1	380	255	220	263.5	358	350	265	250	310	300	355	70	70	22	16	75	95	7	8	29	32	321	
16	150MA	200	150	GR-2	415	283	250	299.5	398.5	400	320	440	395	500	460	100	100	25	22	95	100	8	12	39	42	340	
17	150MC	200	150	GR-2	405	275	250	299.5	398.5	390	320	360	500	420	570	100	100	20	22	95	100	8	12	39	42	360	
18	150HC	200	150	GR-2	450	292	275	299.5	398.5	425	390	370	360	420	420	80	80	25	22	95	100	8	12	39	42	430	
19	150HA	200	150	GR-2	490	300	270	299.5	398.5	390	310	325	490	380	560	100	100	20	22	95	100	8	12	39	42	517	
20	150HH	200	150	GR-2	450	310	300	299.5	398.5	410	350	440	360	500	420	80	80	25	22	95	100	8	12	39	42	455	
21	200LB	250	200	GR-2	450	280	265	299.5	398.5	400	325	440	360	500	425	82.5	82.5	25	22	95	100	8	12	39	42	478	
22	200MA	250	200	GR-2	450	316.5	285	299.5	398.5	440	350	440	360	500	425	82.5	82.5	20	22	95	100	8	12	39	42	500	
23	200LC	200	200	GR-2	440	280	265	299.5	398.5	400	295	370	360	420	420	80	80	25	22	95	100	8	12	39	42	460.5	
24	200MB	200	200	GR-2	430	305	285	299.5	398.5	440	350	365	490	426	560	100	100	20	22	95	100	8	12	39	42	519	
25	200HB	200	200	GR-2	490	310	300	299.5	398.5	420	350	440	360	500	420	80	80	25	22	95	100	8	12	39	42	460	
26	200HA	250	200	GR-3	500	335	310	342	466	490	380	440	390	500	460	100	100	30	22	110	125	10	16	54	58	614.5	
27	200HL	200	200	GR-3	500	350	325	342	466	450	375	440	360	500	425	90	90	25	26	110	125	10	16	54	58	752.5	
28	200HH	250	200	GR-3	500	345	320	342	466	500	365	440	360	500	425	100	100	25	26	110	125	10	16	54	58	673	
29	250LA	250	250	GR-2	490	300	290	299.5	398.5	480	380	440	360	500	420	80	80	25	22	95	100	8	12	39	42	521.5	