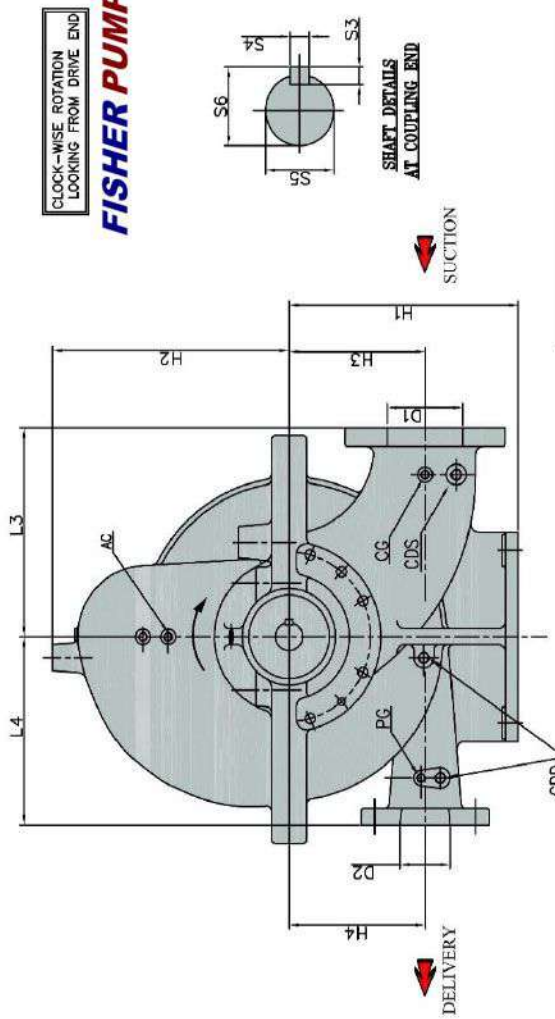
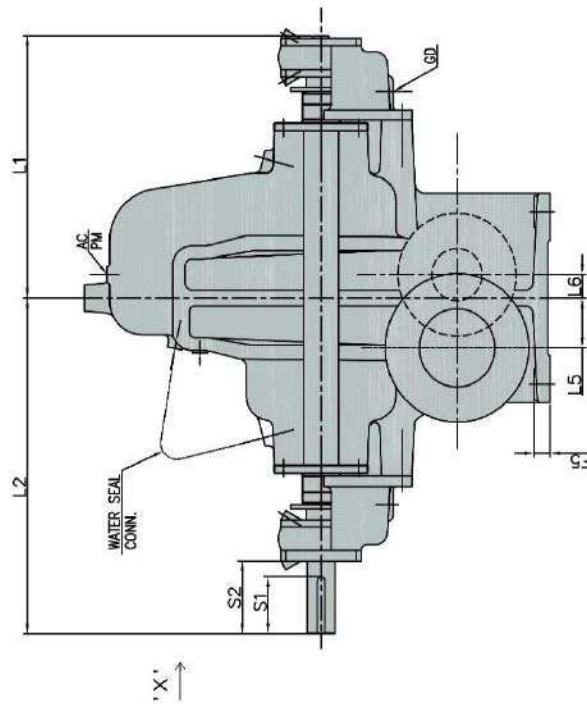
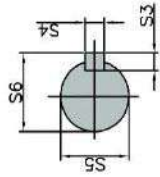


GENERAL ARRANGEMENT DRAWING FOR TWO STAGE AXIALLY SPLIT-CASE PUMPS WITH INTERNAL CROSS OVER



CLOCK-WISE ROTATION
LOOKING FROM DRIVE END

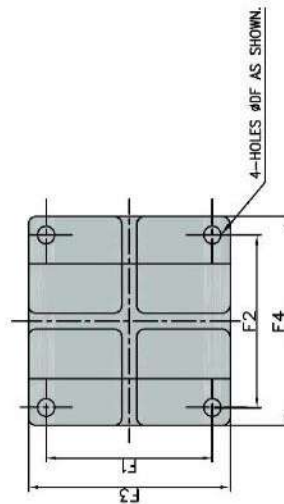
FISHER PUMP



SHAFT DETAILS
AT COUPLING END

VIEW IN DIRECTION OF 'X'

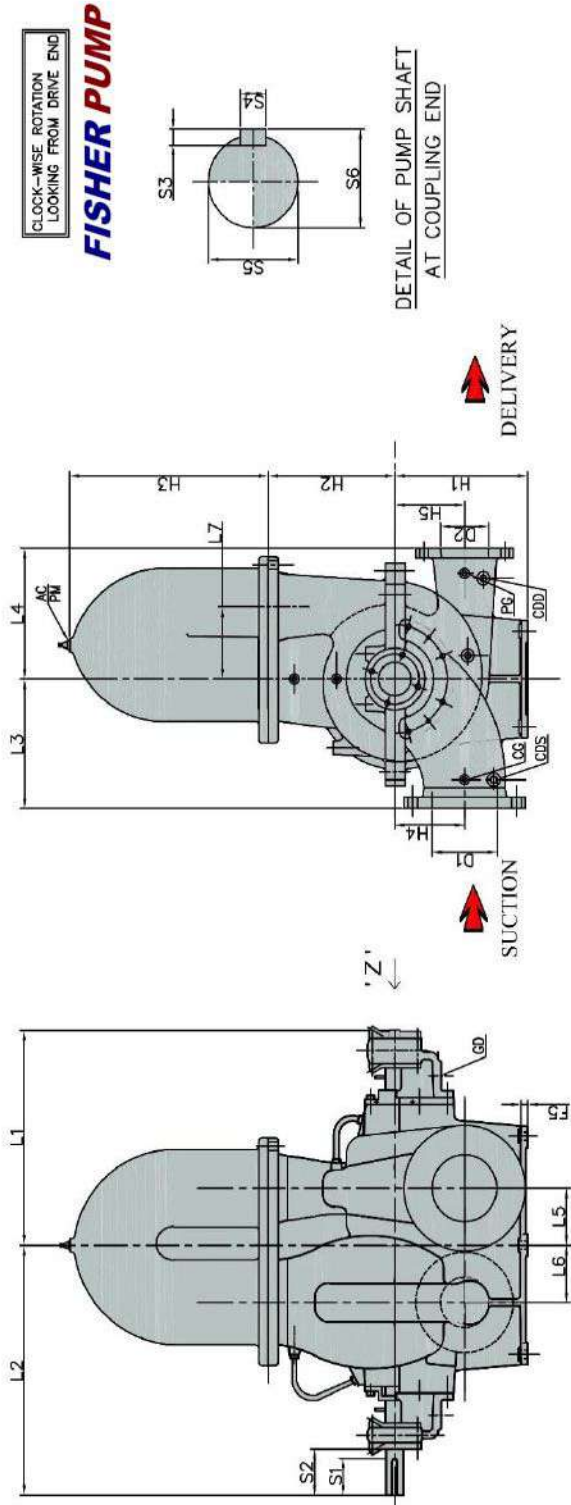
SHAFT END DETAILS						
GROUP	S1	S2	S3	S4	S5	S6
0S	70	87	7	8	24	27
1S	80	90	7	8	29	31
2S	95	100	8	12	39	42
3S	110	140	10	16	54	58
4S	130	160	12	20	69	73.5
5S	170	200	14	22	84	89.5



DETAIL OF PUMP FEET

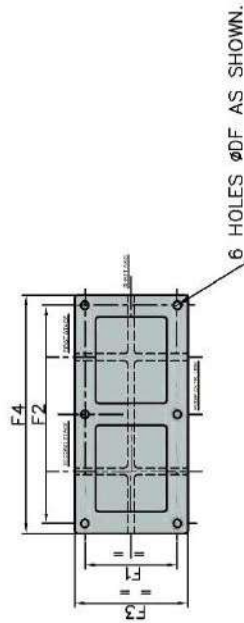
ITEM	CONNECTION		SHAFT GROUP					
	DESCRIPTION		0S	1S	2S	3S	4S	5S
GD	GLAND DRAIN		1/2"	1/2"	1/2"	1/8"	1"	1"
CG	COMP. GAUGE FOR SUCTION		3/8"	3/8"	3/8"	3/8"	3/8"	3/8"
PG	PR. GAUGE FOR DELIVERY		3/8"	3/8"	3/8"	3/8"	3/8"	3/8"
AC	AIR COCK		3/8"	3/8"	3/8"	3/8"	3/8"	3/8"
PM	PRIMING		1/2"	1/2"	3/4"	1/2"	1-1/2"	1-1/2"
CDS	CASING DRAIN(SUCT.SIDE)		1/2"	1/2"	1/2"	1/2"	1"	1"
CDD	CASING DRAIN(DEL.SIDE)		1/2"	1/2"	1/2"	1/2"	1"	1"
CDC	CASING DRAIN(CROSS OVER)		-	-	-	-	-	-

GENERAL ARRANGEMENT DRAWING FOR TWO STAGE AXIALLY SPLIT-CASE PUMPS WITH EXTERNAL CROSS OVER



VIEW IN DIRECTION OF 'Z'

GROUP	SHAFT END DETAILS					
	S1	S2	S3	S4	S5	S6
0S	70	87	7	8	24	27
1S	80	90	7	8	29	31
2S	95	100	8	12	39	42
3S	110	140	10	16	54	58
4S	130	160	12	20	69	73.5
5S	170	200	14	22	84	89.5



ITEM	CONNECTION DESCRIPTION	SHAFT GROUP					
		0S	1S	2S	3S	4S	5S
GD	GLAND DRAIN	1/2"	1/2"	1/2"	1/8"	1"	1"
CG	COMP. GAUGE FOR SUCTION	3/8"	3/8"	3/8"	3/8"	3/8"	3/8"
PG	PR. GAUGE FOR DELIVERY	3/8"	3/8"	3/8"	3/8"	3/8"	3/8"
AC	AIR COCK	3/8"	3/8"	3/8"	3/8"	3/8"	3/8"
PM	PRIMING	1/2"	1/2"	3/4"	1/2"	1-1/2"	1-1/2"
CDS	CASING DRAIN(SUCT.SIDE)	1/2"	1/2"	1/2"	1/2"	1"	1"
CDD	CASING DRAIN(DEL.SIDE)	1/2"	1/2"	1/2"	1/2"	1"	1"
CDC	CASING DRAIN(CROSS OVER)	-	-	-	-	-	-

DIMENSIONAL DATASHEET FOR TWO STAGE AXIALLY SPLIT CASE PUMPS WITH INTERNAL CROSS OVER - SERIES HST

SL NO.	PUMP MODEL	SIZE (mm)		SHAFT GROUP	OVERALL DIMENSIONS (mm)										MOUNTING DIMENSIONS (mm)					APPROX. WT. (kg)	
		D1	D2		H1	H2	H3	H4	L1	L2	L3	L4	L5	L6	F1	F2	F3	F4	F5		DF
1	2.5HST9	80	65	0S	285	248	145	145	347	419	230	200	22.5	22.5	150	200	250	300	20	16	245
2	2.5HST10	80	65	1S	290	250	150	150	347	419	230	200	22.5	22.5	150	200	250	300	20	16	275
3	2.5HST12	80	65	1.5S	340	235	185	185	395	469	290	230	37	60	180	230	250	300	16	16	300
4	3HST12	100	80	1.5S	290	315	180	180	350	469	270	250	40.25	40.25	250	250	300	300	20	24	312
5	3HST15	100	80	2S	300	375	225	225	426.5	532	325	300	39.5	39.5	290	290	340	340	20	34	355
6	4HST13	125	100	1S	335	345	202	202	379	469	318	295	36.5	36.5	290	290	340	340	20	24	271
7	4HST14	150	100	3S	400	440	230	230	552	642	370	350	52	52	330	330	400	400	25	34	593
8	4HST16	150	100	2S	400	450	260	260	489.5	572	400	360	43	96	330	330	400	400	25	34	611
9	4HST19	150	100	3S	455	470	270	270	508	636	400	360	45	96	330	330	400	400	25	34	725
10	5HST14	150	125	2S	335	390	200	200	426.5	532	350	325	41	41	290	290	340	340	20	34	475
11	6HST18	200	150	3S	465	430	280	280	490	615	510	370	41.3	41	330	330	400	400	25	34	661
12	8HST21	250	200	6S	480	430	280	280	490	615	510	360	41	41	330	330	400	400	25	34	800
13	10HST22	300	250	6S	610	675	350	350	760	921	600	600	70	70	540	540	700	700	35	36	2032

DIMENSIONAL DATASHEET FOR TWO STAGE AXIALLY SPLIT CASE PUMPS WITH EXTERNAL CROSS OVER - SERIES HST

SL NO.	PUMP MODEL	SIZE (mm)		SHAFT GROUP	OVERALL DIMENSIONS (mm)											MOUNTING DIMENSIONS (mm)					APPROX. WT. (kg)		
		D1	D2		H1	H2	H3	H4	H5	L1	L2	L3	L4	L5	L6	L7	F1	F2	F3	F4		F5	DF
1	3HSTD14	125	80	3S	355	325	388	210	210	568.5	672	325	250	125	125	210	360	540	420	600	24	24	320
2	6HSTD12	200	150	3S	375	325	370	190	190	601.5	705	325	325	150	150	190	285	620	350	670	24	22	684
3	6HSTD13	200	150	3S	410	390	610.5	215	215	641	745	390	390	170	170	215	285	650	350	710	20	24	940
4	6HST19	200	150	4S	220	480	305	280	280	678	777	450	410	155	95	190	430	860	520	990	24	19	1183
5	6HSTD21	200	150	4S	525	450	425.5	340	340	858.5	1020	500	450	215	215	340	385	750	485	800	26	27	1320
6	6HST24	200	150	4S	215	475	415	345	345	678	850	510	445	150	50	200	430	880	520	990	24	19	1370
7	8HSTD22	250	200	5S	650	500	450	420	420	860	1015	510	440	80	170	190	482	940	576	1020	28	27	2200
8	8HSTD26	250	200	5S	670	530	460	430	430	880	1015	530	530	60	170	190	482	940	576	1020	28	27	2400