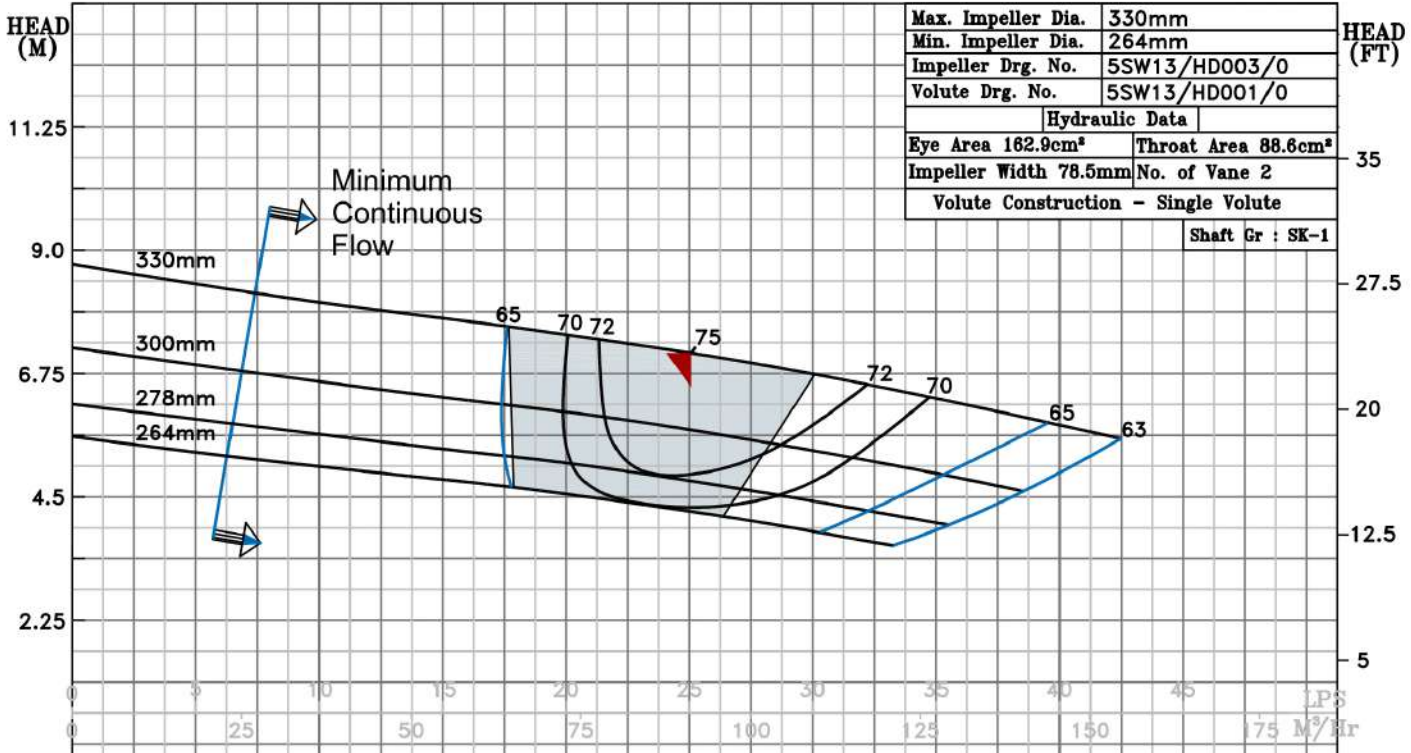


NOTE- PERFORMANCE AS PER ISO 9906 GRADE-2B

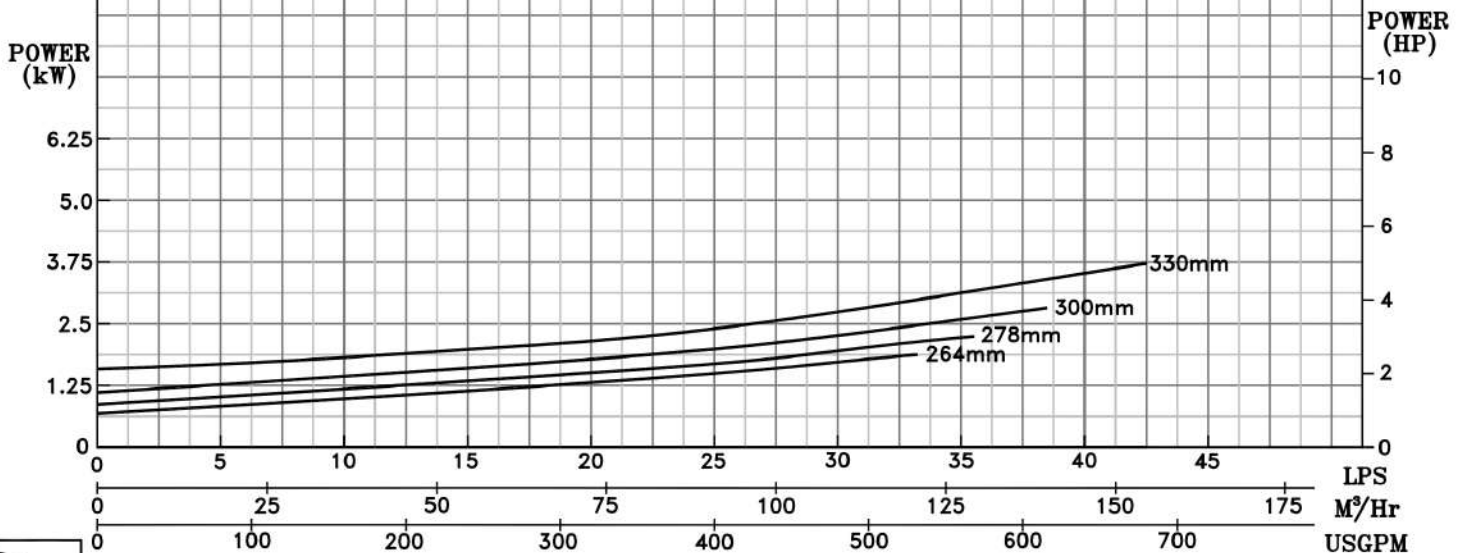
PERFORMANCE CURVE OF 5SW13 @740 R.P.M		5SW13/X/800858	
<b>FISHER PUMP</b>	<b>MODEL 5SW13</b>	WORKING PRESS.	12 bar
	SIZE 150x125-330	TEST PRESS.	18 bar
	<b>SW RANGE</b>	TYPE-DRY PIT NON-CLOG SEWAGE PUMP	
		MAX. SPHERE SIZE - 50MM	SPEED 740 rpm

SHADED REGION ON THE H-Q CURVE REPRESENTS OPTIMUM SELECTION ZONE  
 PUMP PERFORMANCE CHARACTERISTICS COMPUTED BASED ON CLEAN COLD WATER S.G 1.0



NPSHr  
 (M) (FT)

B.E.P Flow	91 M³/Hr.
B.E.P Head	7.17 M
Speed	740 R.P.M
Ns	: 1386 US UNITS



740 RPM