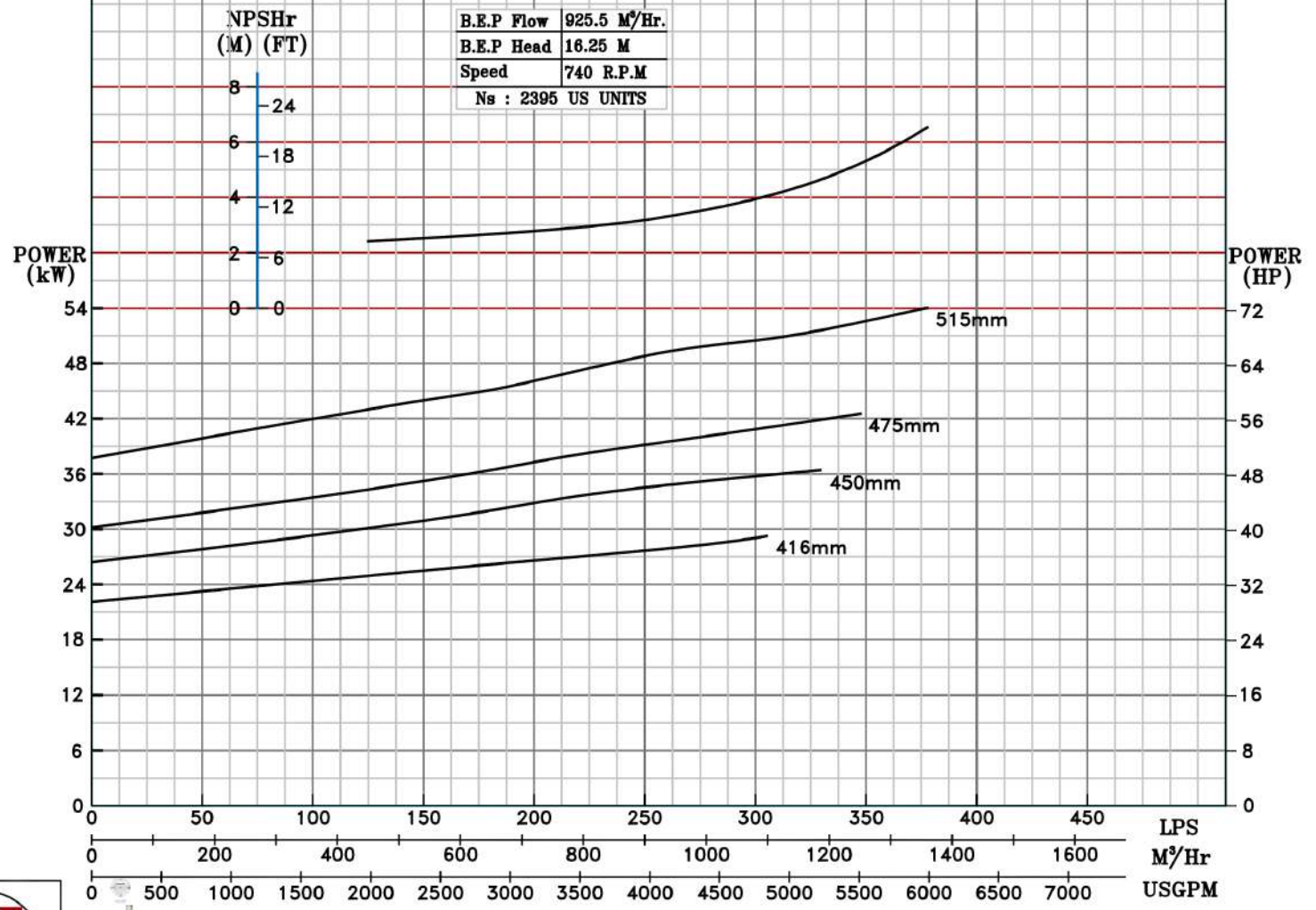
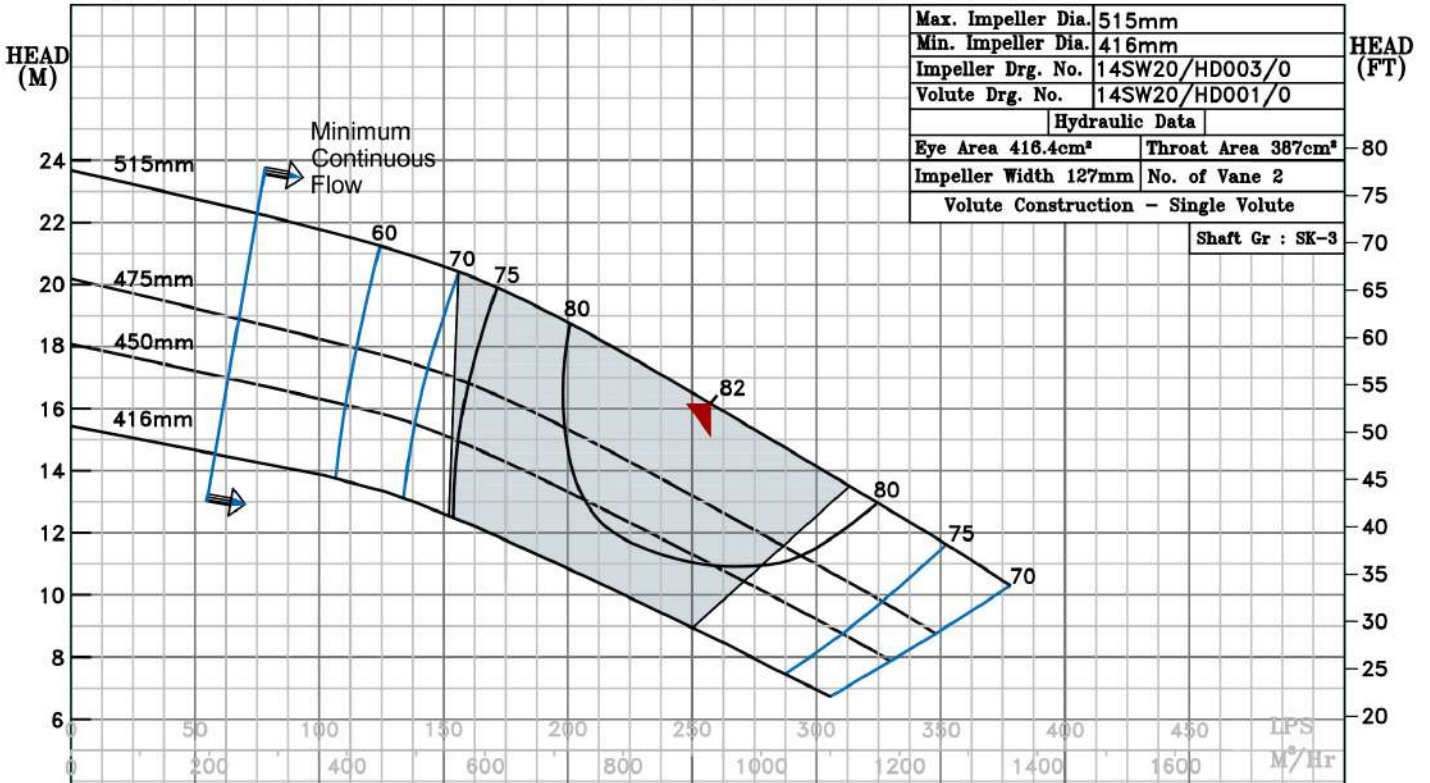


NOTE- PERFORMANCE AS PER ISO 9906 GRADE-2B

PERFORMANCE CURVE OF 14SW20 @740 R.P.M		14SW20/X/603258	
FISHER PUMP	MODEL 14SW20	WORKING PRESS.	12 bar
	SIZE 400x350-515	TEST PRESS.	18 bar
	TYPE-DRY PIT NON-CLOG SEWAGE PUMP		
	MAX. SPHERE SIZE - 115MM	SPEED 740 rpm	
SW RANGE			

SHADED REGION ON THE H-Q CURVE REPRESENTS OPTIMUM SELECTION ZONE

PUMP PERFORMANCE CHARACTERISTICS COMPUTED BASED ON CLEAN COLD WATER S.G 1.0



740 RPM