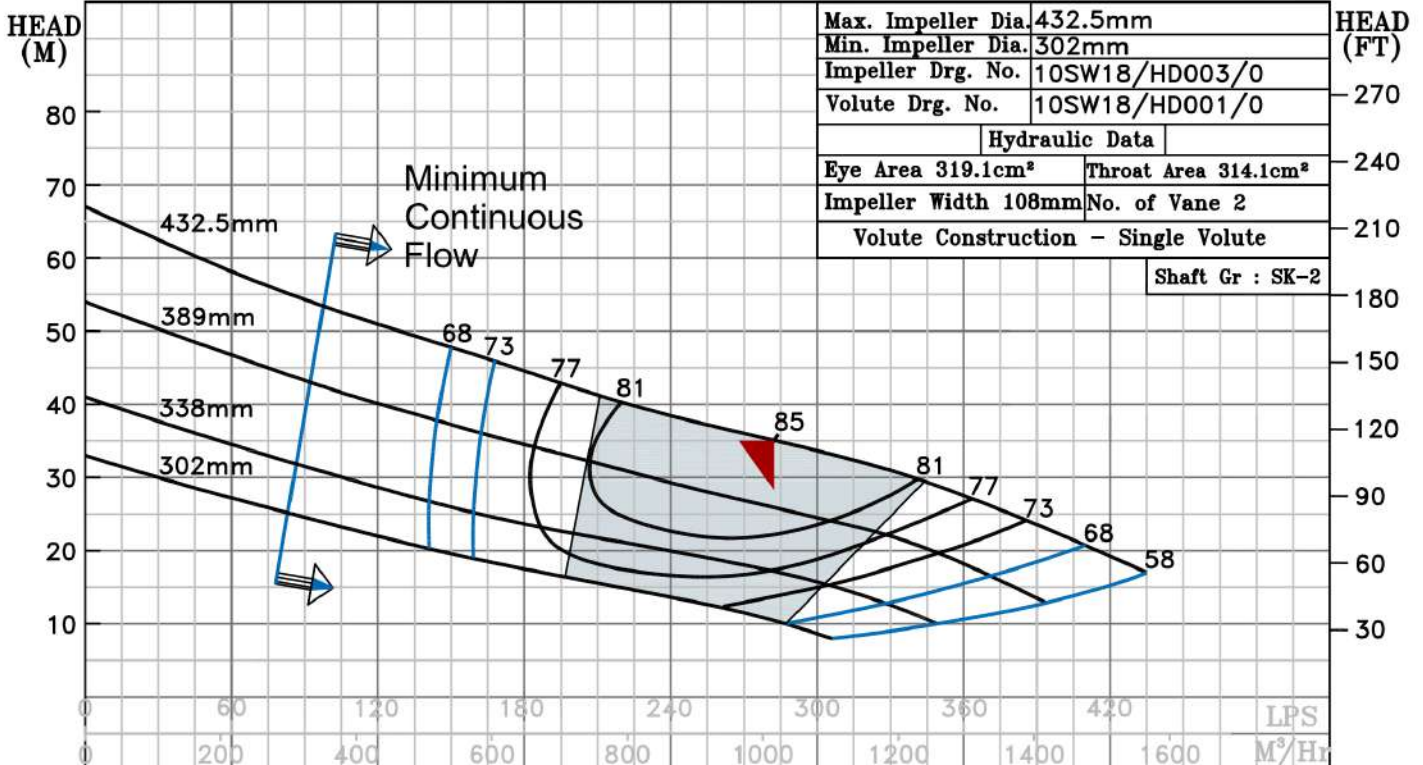


NOTE- PERFORMANCE AS PER ISO 9906 GRADE-2B

PERFORMANCE CURVE OF 10SW18 @1480 R.P.M		10SW18/X/602354	
<b>FISHER PUMP</b>	<b>MODEL 10SW18</b>	WORKING PRESS. 12 bar	
	SIZE 300x250-432.5	TEST PRESS. 18 bar	
<i>SW RANGE</i>	TYPE-DRY PIT NON-CLOG SEWAGE PUMP		
	MAX. SPHERE SIZE - 125MM	SPEED 1480 rpm	

SHADED REGION ON THE H-Q CURVE REPRESENTS OPTIMUM SELECTION ZONE

PUMP PERFORMANCE CHARACTERISTICS COMPUTED BASED ON CLEAN COLD WATER S.G 1.0



NPSHr  
(M) (FT)

B.E.P Flow	1013 M <sup>3</sup> /Hr.
B.E.P Head	35 M
Speed	1480 R.P.M
Ns	: 2819 US UNITS

