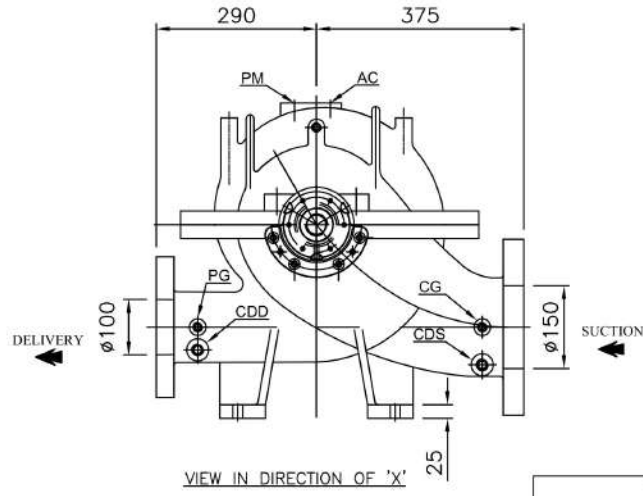
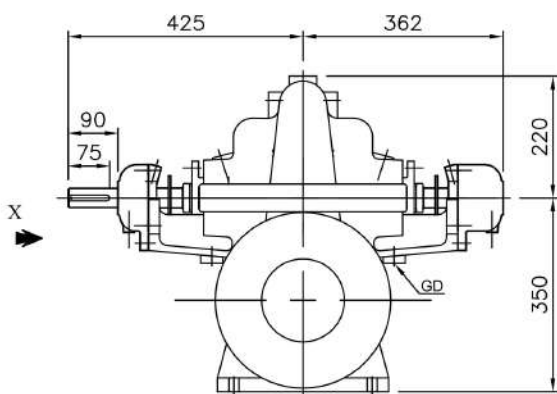
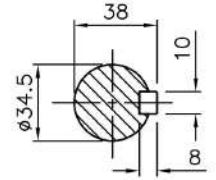


PUMP MODEL - 4HF10H

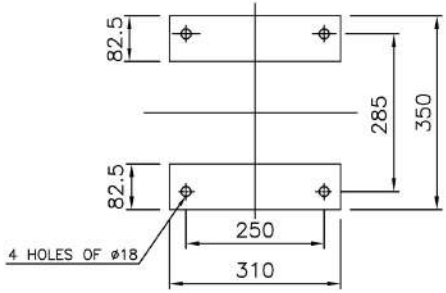
GENERAL ARRANGEMENT DRAWING FOR SINGLE STAGE AXIALLY SPLIT CASE PUMP MODEL - 4HF10H



CLOCK-WISE ROTATION
LOOKING FROM DRIVE END



SCALE - 4:1
SHAFT DETAIL AT
COUPLING END



PLAN OF PUMP FEET

ALL DIMENSIONS ARE IN MM.
APPROX. NETT WEIGHT - 251kg.

| CONNECTIONS | | |
|-------------|--------------------------|------------|
| ITEM | DESCRIPTION | SIZE (NPT) |
| GD | GLAND DRAIN | 1/2" |
| CG | COMP. GAUGE FOR SUCTION | 3/8" |
| PG | PR. GAUGE FOR DELIVERY | 3/8" |
| AC | AIR COCK | 3/8" |
| PM | PRIMING | 1/2" |
| CDS | CASING DRAIN (SUCT.SIDE) | 1/2" |
| CDD | CASING DRAIN (DELY.SIDE) | 1/2" |

NOTES:

1. AN ARROW MARK WILL BE ON THE TOP HALF OF THE CASING TO INDICATE THE DIRECTION OF ROTATION
2. COMPOUND GAUGE, DISCHARGE GAUGE, AIR RELEASE VALVE, CIRCULATION RELIEF VALVE (FOR MOTOR ONLY) WILL BE SUPPLIED WITH UL LISTED PUMP

FLANGE STD. - ANSI/ASME B16.1

| SUC | ANSI250#FF | 12-1/2" | 10-5/8" | 1-7/16" | 12, Ø7/8" | --- | --- |
|-----|----------------|---------|---------|---------|-------------|-----|------------------|
| DEL | ANSI250#FF | 10" | 7-7/8" | 1-1/4" | 8, Ø7/8" | --- | --- |
| | TYPE OF FLANGE | O.D. | P.C.D. | THK MIN | NO & HOLE Ø | RFØ | RF THK RF FLANGE |

| | | | | | | |
|------|-------------|----------|-----------|-----------------------|----|----------|
| | | | | FISHER PUMP | | |
| | | | | TITLE- | | |
| | | | | GA DRAWING FOR 4HF10H | | REV 0 |
| DRN | SN | 08.02.23 | DRG. NO. | | | |
| CHKD | TK | 08.02.23 | 838GA10YJ | | | |
| APPD | HS | 08.02.23 | | | | |
| REV | DESCRIPTION | DRN | CHKD | APPD | HS | |