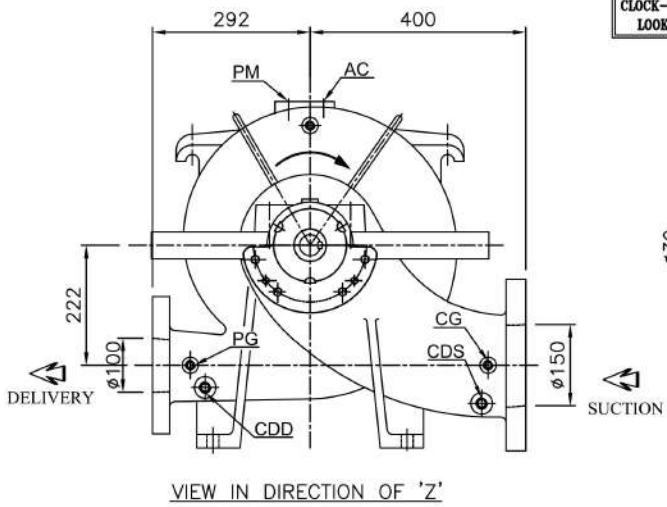
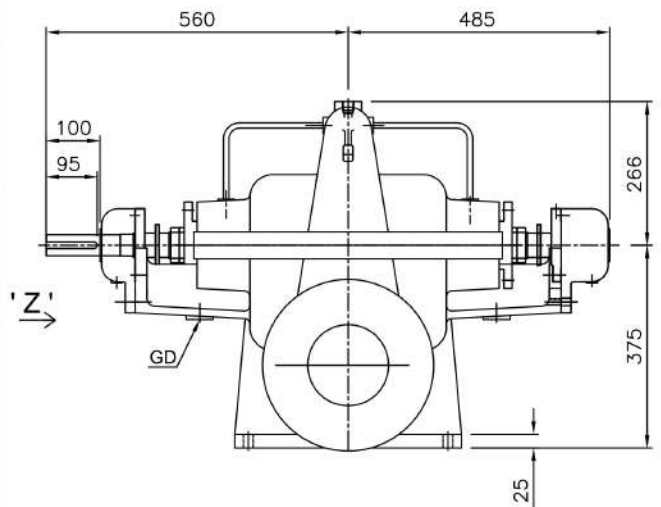
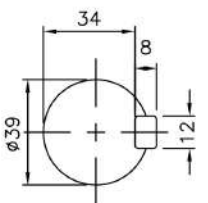


PUMP MODEL- 4HF13

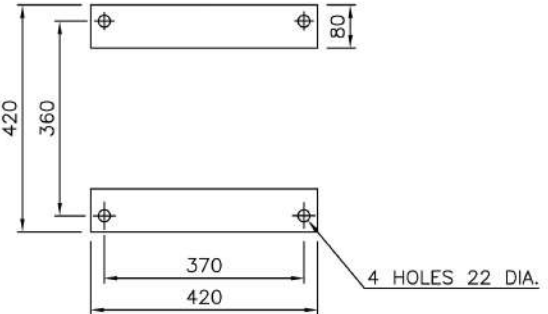
GENERAL ARRANGEMENT DRAWING FOR SINGLE STAGE AXIALLY SPLIT CASE PUMP MODEL - 4HF13



CLOCK-WISE ROTATION
LOOKING FROM DRIVE END



SCALE - 5:1
SHAFT DETAIL AT
COUPLING END



PLAN OF PUMP FEET

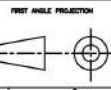
APPROX. NET WEIGHT - 365 Kg.
ALL DIMENSIONS ARE IN MM.

CONNECTIONS		
ITEM	DESCRIPTION	SIZE(NPT)
GD	GLAND DRAIN	3/4"
CG	COMPOUND GAUGE FOR SUCTION	3/8"
PG	PRESSURE GAUGE FOR DELIVERY	3/8"
AC	AIR COCK	3/8"
PM	PRIMING	3/4"
CDS	CASING DRAIN(SUCTION SIDE)	3/4"
CDD	CASING DRAIN(DELIVERY SIDE)	3/4"

** GAUGE CONNECTIONS DRILLED AND TAPPED ONLY WHEN SPECIFICALLY REQUESTED BY THE CUSTOMER.

S	ANSI 125# FF	11"	9-1/2"	1"	8, #7/8"	--	--											
D	ANSI 250# FF							10"	7-7/8"	1-1/4"	8, 7/8"	--	--					

REF. NO.	TYPE OF FLANGE.	O.D.	P.C.D.	THK MIN	NO OF HOLES	SIZE OF HOLE	RF R.F.	RF THK	FLANGE	O.D.	P.C.D.	THK MIN	NO OF HOLES	SIZE OF HOLE	RF R.F.	RF THK	FLANGE	
		SUCTION~ 150ø (6")				DELIVERY~ 100ø (4")												



REV	NO.	REVISION	DATE	BY	CHK

FISHER PUMP

GA DRAWING FOR 4HF13

DRN. AD	SCALE	DRAWING NO.
CHKD. BY	1:1	FW/4HF13/04-01
APP. BY		