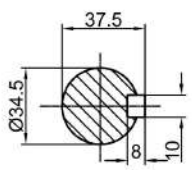
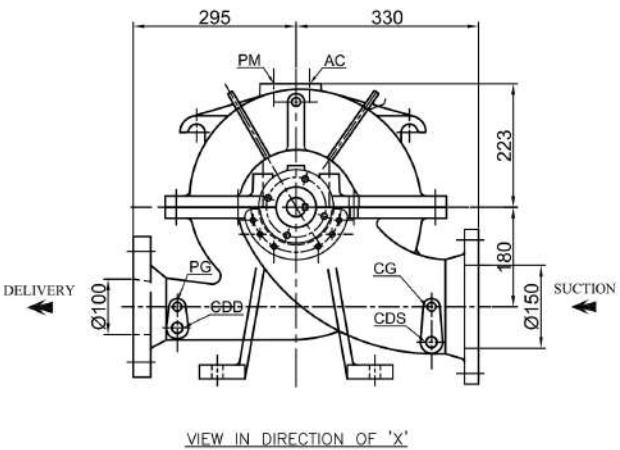
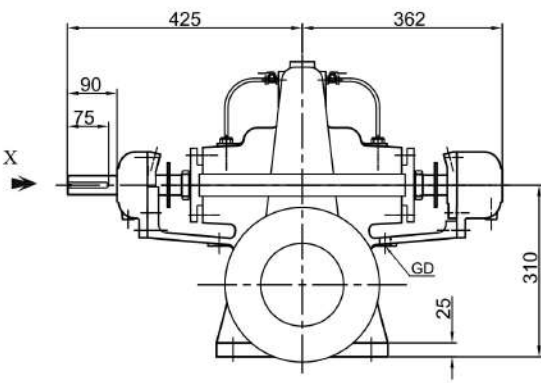


PUMP MODEL - 4HF12

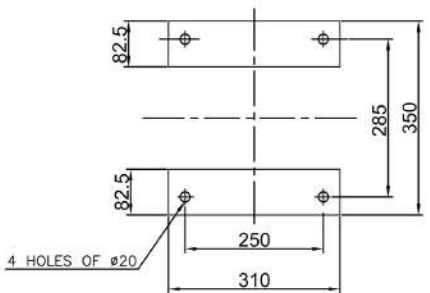
GENERAL ARRANGEMENT DRAWING FOR SINGLE STAGE AXIALLY SPLIT CASE PUMP MODEL - 4HF12

CLOCK-WISE ROTATION
LOOKING FROM DRIVE END



SCALE - 4:1
SHAFT DETAIL AT
COUPLING END

VIEW IN DIRECTION OF 'X'



PLAN OF PUMP FEET

ALL DIMENSIONS ARE IN MM.
APPROX. NETT WEIGHT - 224kg.

CONNECTIONS		
ITEM	DESCRIPTION	SIZE (NPT)
GD	GLAND DRAIN	1/2"
CG	COMP. GAUGE FOR SUCTION	3/8"
PG	PR. GAUGE FOR DELIVERY	3/8"
AC	AIR COCK	3/8"
PM	PRIMING	1/2"
CDS	CASING DRAIN (SUCT.SIDE)	1/2"
CDD	CASING DRAIN (DELY.SIDE)	1/2"

FLANGE TABLE

S	ANSI 125#FF	11"	9-1/2"	1"	8, #7/8"												
D	ANSI 250#FF						10"	7-7/8"	1-1/4"	8, #7/8"							
REF. NO.	TYPE OF FLANGE	O.D.	P.C.D.	THK MIN	NO. OF HOLES	SIZE OF HOLE	RF	DRF	THK OF FLANGE	O.D.	P.C.D.	THK MIN	NO. OF HOLES	SIZE OF HOLE	RF	DRF	THK OF FLANGE
SUCTION - 150(6")							DELIVERY - 100(4")										

FISHER PUMP										
TITLE-										
GA DRAWING FOR 4HF12										
DRN	AD	28.11.16	DRG. NO.							SCALE
CHKD	SP	28.11.16	PSF/4HF12/GA-01/0							1:1
APPD	HS	28.11.16								REV
REV	DESCRIPTION		DRN	CHKD	APPD	HS				0