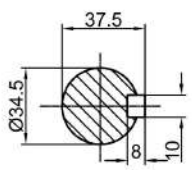
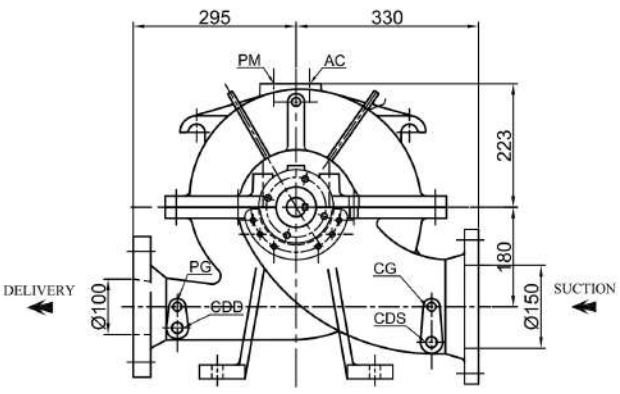
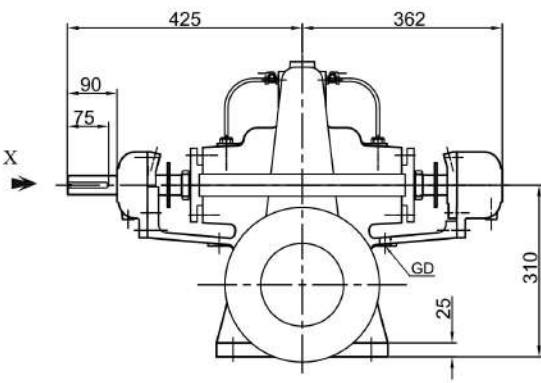


PUMP MODEL - 4HF12

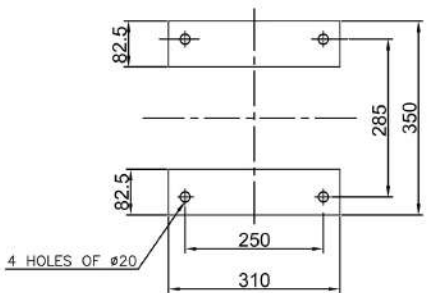
GENERAL ARRANGEMENT DRAWING FOR SINGLE STAGE AXIALLY SPLIT CASE PUMP MODEL - 4HF12

CLOCK-WISE ROTATION
LOOKING FROM DRIVE END



SCALE - 4:1
SHAFT DETAIL AT
COUPLING END

VIEW IN DIRECTION OF 'X'



PLAN OF PUMP FEET

ALL DIMENSIONS ARE IN MM.
APPROX. NETT WEIGHT - 224kg.

CONNECTIONS		
ITEM	DESCRIPTION	SIZE (NPT)
GD	GLAND DRAIN	1/2"
CG	COMP. GAUGE FOR SUCTION	3/8"
PG	PR. GAUGE FOR DELIVERY	3/8"
AC	AIR COCK	3/8"
PM	PRIMING	1/2"
CDS	CASING DRAIN (SUCT.SIDE)	1/2"
CDD	CASING DRAIN (DELY.SIDE)	1/2"

FLANGE TABLE

S	ANSI 125#FF	11"	9-1/2"	1"	8, #7/8"															
D	ANSI 250#FF						10"	7-7/8"	1-1/4"	8, #7/8"										
REF. NO.	TYPE OF FLANGE	O.D.	P.C.D.	THK MIN	NO. SIZE OF HOLE	RF	DRF	THK	RF	THK	O.D.	P.C.D.	THK MIN	NO. SIZE OF HOLE	RF	DRF	THK	RF	THK	
		SUCTION - 150(6")					DELIVERY - 100(4")													

FISHER PUMP											
TITLE- GA DRAWING FOR 4HF12											SCALE 1:1
DRN	AD	28.11.16	DRG. NO.							REV 0	
CHKD	SP	28.11.16	PSF/4HF12/GA-01/0								
REV	DESCRIPTION	DRN	CHKD	APPD	HS	28.11.16					