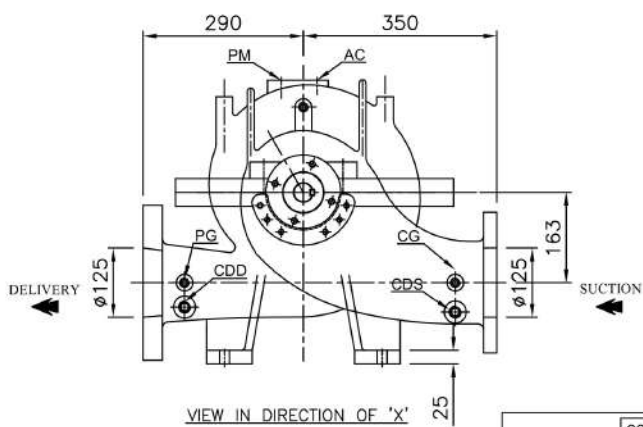
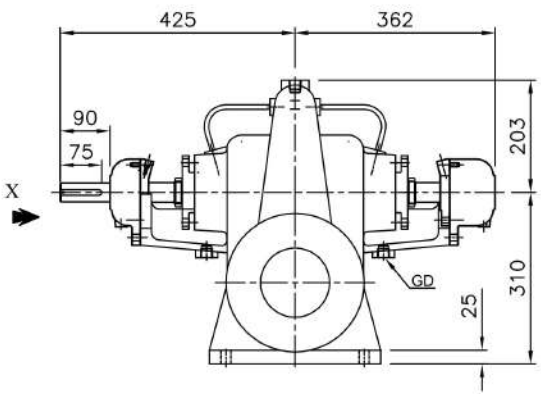
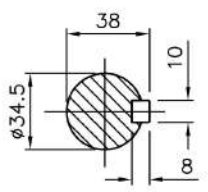


PUMP MODEL - 5HF10

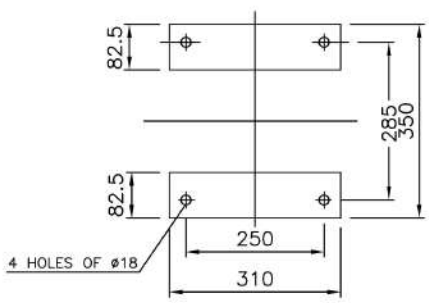
GENERAL ARRANGEMENT DRAWING FOR SINGLE STAGE AXIALLY SPLIT CASE PUMP MODEL - 5HF10



CLOCK-WISE ROTATION  
LOOKING FROM DRIVE END



SCALE - 4:1  
SHAFT DETAIL AT  
COUPLING END



PLAN OF PUMP FEET

ALL DIMENSIONS ARE IN MM.  
APPROX. NETT WEIGHT - 205kg.

CONNECTIONS		
ITEM	DESCRIPTION	SIZE (NPT)
GD	GLAND DRAIN	1/2"
CG	COMP. GAUGE FOR SUCTION	3/8"
PG	PR. GAUGE FOR DELIVERY	3/8"
AC	AIR COCK	3/8"
PM	PRIMING	1/2"
CDS	CASING DRAIN (SUCT.SIDE)	1/2"
CDD	CASING DRAIN (DELY.SIDE)	1/2"

NOTES:

1. AN ARROW MARK WILL BE ON THE TOP HALF OF THE CASING TO INDICATE THE DIRECTION OF ROTATION
2. COMPOUND GAUGE, DISCHARGE GAUGE, AIR RELEASE VALVE, CIRCULATION RELIEF VALVE (FOR MOTOR ONLY) WILL BE SUPPLIED WITH UL LISTED PUMP

FLANGE TABLE

S	ANSI 125#FF	10"	8-1/2"	15/16"	8, #7/8"											
D	ANSI 250#FF						11"	9-1/4"	1-3/8"	8, #7/8"						
REF. NO.	TYPE OF FLANGE	O.D.	P.C.D.	THK MIN	NO. SIZE OF HOLE	RF	ØRF. THK RF FLANGE	O.D.	P.C.D.	THK MIN	NO. SIZE OF HOLE	RF	ØRF. THK RF FLANGE			
		SUCTION - 125(5")				DELIVERY - 125(5")										

FISHER PUMP										
TITLE-										
GA DRAWING FOR 5HF10										
DRN	SN	03.02.23	DRG. NO.							
CHKD	TK	03.02.23	836GA10YJ							
APPD	HS	03.02.23								
REV	DESCRIPTION	DRN	CHKD	APPD	HS	03.02.23				

SCALE 1:1

REV 0