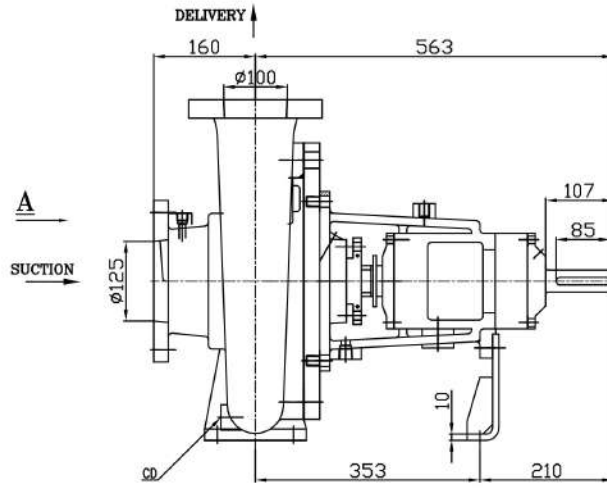
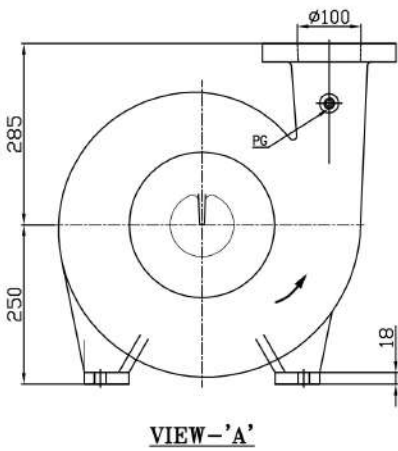
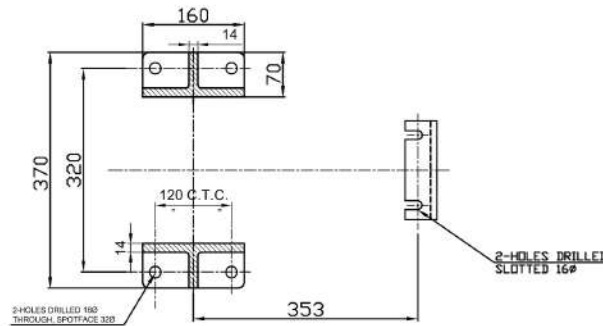
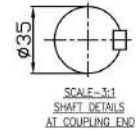


GENERAL ARRANGEMENT DRAWING FOR END SUCTION BACK PULL OUT TYPE PUMP EF 100-310



CLOCK WISE ROTATION
LOOKING FROM DRIVE END



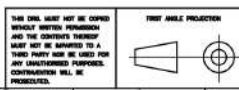
PUMP WEIGHT 180Kg(Approx)
ALL DIMENSIONS ARE IN MM.

CONNECTIONS		
ITEM	DESCRIPTION	SIZE(NPT)
PG/CG	PRESSURE GAUGE FOR DELIVERY	3/8"
AC	AIR COOL	3/8"
CD	CASING DRAIN	1/2"

IF GAUGE CONNECTIONS DRILLED AND TAPPED ONLY
BEEN SPECIFICALLY REQUESTED BY THE CUSTOMER.

FOOT PRINT

REF. NO.	TYPE OF FLANGE	O.D.	P.C.D.	THK MIN	NO. OF HOLES	SIZE OF HOLE	RF	QRF	THK OF FLANGE	O.D.	P.C.D.	THK MIN	NO. OF HOLES	SIZE OF HOLE	RF	QRF	THK OF FLANGE
S	ANSI#125FF	10"	8-1/2"	15/16"	8	Ø7/8"	—	—	—	10"	7-7/8"	1-1/4"	8	Ø7/8"	—	—	—
D	ANSI#250FF																
SUCTION - Ø125										DELIVERY - Ø100							



FISHER PUMP									
GA DRAWING FOR EF 100-310									
REV.	NO.	DESCRIPTION	DATE	BY	CHECKED	DATE	BY	DATE	BY

THIS DRAWING MUST NOT BE COPIED
REPRODUCED OR TRANSMITTED IN ANY
FORM OR BY ANY MEANS, ELECTRONIC
OR MECHANICAL, INCLUDING PHOTOCOPYING,
RECORDING, OR BY ANY INFORMATION
STORAGE AND RETRIEVAL SYSTEM,
WITHOUT THE WRITTEN PERMISSION
AND THE EXPRESS WRITING
MUST NOT BE LOANED TO A
THIRD PARTY NOR BE USED FOR
ANY UNAUTHORIZED PURPOSES.
CONTRIBUTION WILL BE
PROSECUTED.