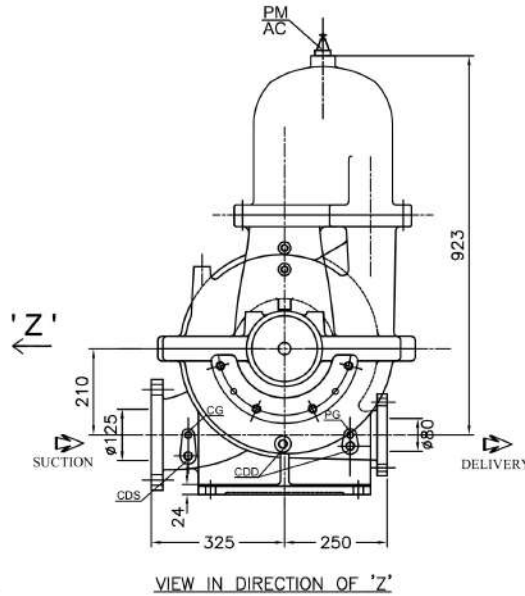
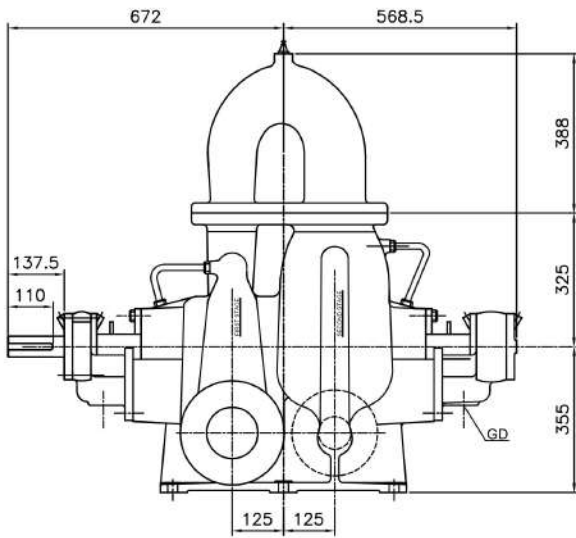
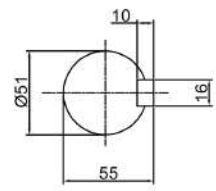


PUMP MODEL- 3HFTD14

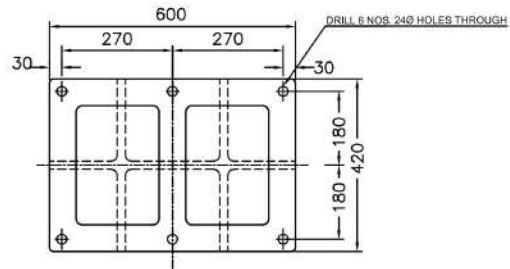
GENERAL ARRANGEMENT DRAWING FOR TWO STAGE AXIALLY SPLIT-CASE PUMP MODEL - 3HFTD14



CLOCK WISE ROTATION
LOOKING FROM DRIVE END



SCALE - 4:1
SHAFT DETAIL AT
COUPLING END



PLAN OF PUMP FEET

APPROX. NETT WEIGHT - 320kg.
ALL DIMENSIONS ARE IN MM.

CONNECTIONS		
ITEM	DESCRIPTION	SIZE(BSP)
GD	GLAND DRAIN	3/4"
CG	COMPOUND GAUGE FOR SUCTION	3/4"
PG	PRESSURE GAUGE FOR DELIVERY	3/4"
AC	AIR COCK	3/8"
PM	PRIMING	1/2"
CDS	CASING DRAIN(SUCTION SIDE)	1/2"
CDD	CASING DRAIN(DELIVERY SIDE)	1/2"

S	ANSI#125FF	10"	8-1/2"	15/16"	8, Ø7/8"	—	—	8-1/4"	6-5/8"	1-1/8"	8, Ø7/8"	—	—
D	ANSI#250FF												
REF. NO.	TYPE OF FLANGE	O.D.	P.C.D.	THK MIN	NO. SIZE OFF HOLE	RF ØRF. THK RF FLANGE	O.D.	P.C.D.	THK MIN	NO. SIZE OFF HOLE	RF ØRF. THK RF FLANGE	O.D.	P.C.D.
		SUCTION - Ø125 (5")						DELIVERY - Ø80 (3")					

FISHER PUMP						
TITLE - GA DRG. FOR 3HFTD14(CW)						
DRN	AD	CHKD	TK	APPD	HS	DRG. NO. PSF/3HFTD14/GA-01
REV	DESCRIPTION	DRN	CHKD	DATE	APPD	HS

