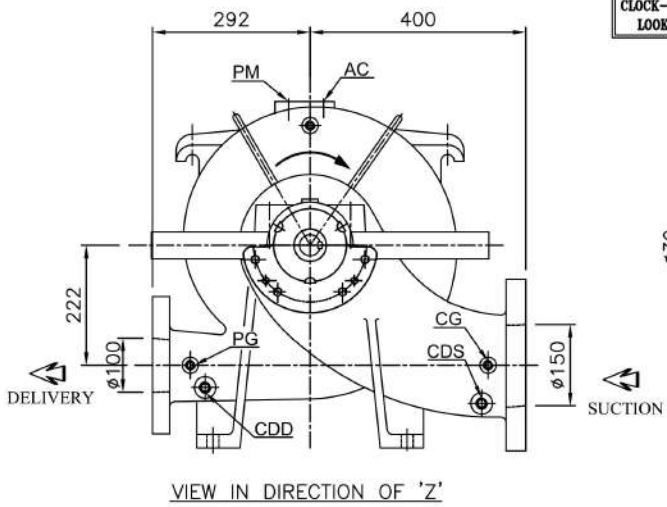
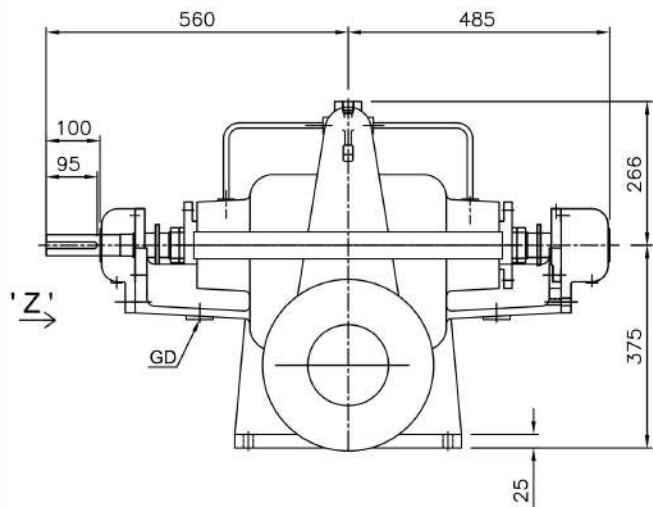
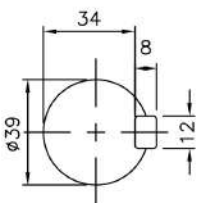


PUMP MODEL- 4HF13

GENERAL ARRANGEMENT DRAWING FOR SINGLE STAGE AXIALLY SPLIT CASE PUMP MODEL - 4HF13

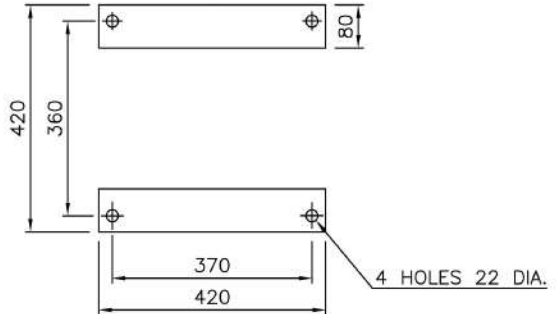


CLOCK-WISE ROTATION
LOOKING FROM DRIVE END



SCALE - 5:1
SHAFT DETAIL AT
COUPLING END

VIEW IN DIRECTION OF 'Z'



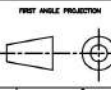
PLAN OF PUMP FEET

APPROX. NET WEIGHT - 365 Kg.
ALL DIMENSIONS ARE IN MM.

CONNECTIONS		
ITEM	DESCRIPTION	SIZE(NPT)
GD	GLAND DRAIN	3/4"
CG	COMPOUND GAUGE FOR SUCTION	3/8"
PG	PRESSURE GAUGE FOR DELIVERY	3/8"
AC	AIR COCK	3/8"
PM	PRIMING	3/4"
CDS	CASING DRAIN(SUCTION SIDE)	3/4"
CDD	CASING DRAIN(DELIVERY SIDE)	3/4"

** GAUGE CONNECTIONS DRILLED AND TAPPED ONLY WHEN SPECIFICALLY REQUESTED BY THE CUSTOMER.

S	ANSI 125# FF	11"	9-1/2"	1"	8, #7/8"	--	--											
D	ANSI 250# FF							10"	7-7/8"	1-1/4"	8, 7/8"	--	--					
REF. NO.	TYPE OF FLANGE.	O.D.	P.C.D.	THK MIN	NO OF HOLES	SIZE OF HOLE	RF R.F.	THK OF FLANGE	O.D.	P.C.D.	THK MIN	NO OF HOLES	SIZE OF HOLE	RF R.F.	THK OF FLANGE	SUCTION~ 150ø (6")		
																DELIVERY~ 100ø (4")		



REV	NO.	REVISION

FISHER PUMP			
TITLE- GA DRAWING FOR 4HF13			
DRW. NO.	SCALE	DRAWING NO.	REV.