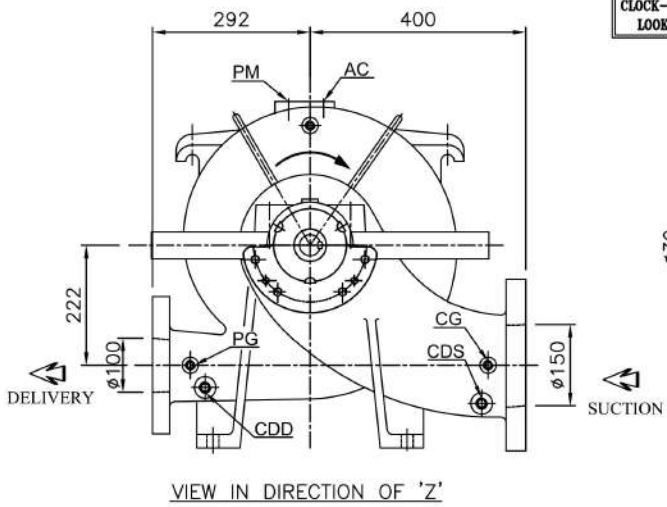
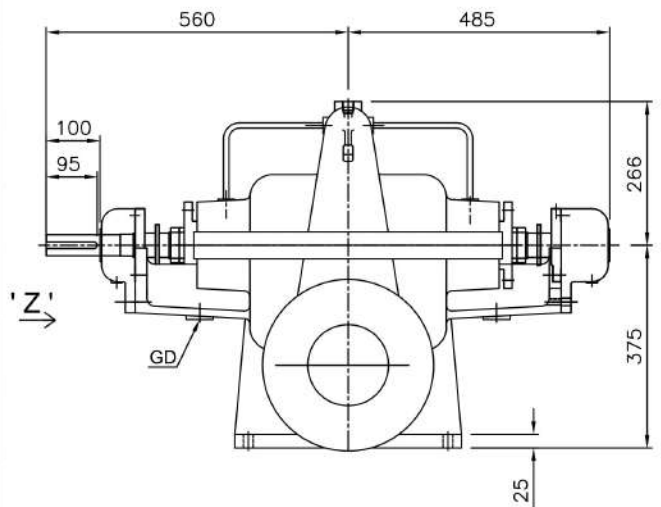
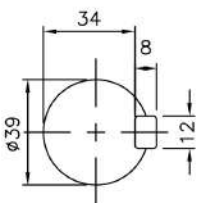


PUMP MODEL- 4HF13

GENERAL ARRANGEMENT DRAWING FOR SINGLE STAGE AXIALLY SPLIT CASE PUMP MODEL - 4HF13

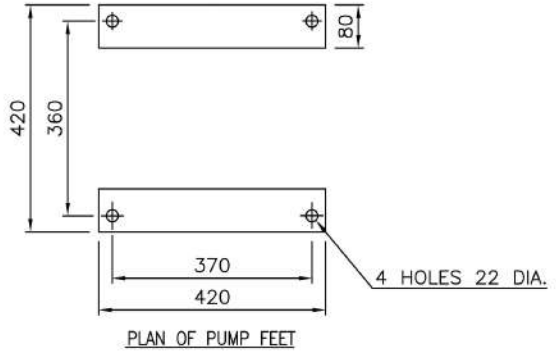


CLOCK-WISE ROTATION
LOOKING FROM DRIVE END



SCALE - 5:1
SHAFT DETAIL AT
COUPLING END

VIEW IN DIRECTION OF 'Z'



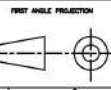
APPROX. NET WEIGHT - 365 Kg.
ALL DIMENSIONS ARE IN MM.

| CONNECTIONS | | |
|-------------|-----------------------------|-----------|
| ITEM | DESCRIPTION | SIZE(NPT) |
| GD | GLAND DRAIN | 3/4" |
| CG | COMPOUND GAUGE FOR SUCTION | 3/8" |
| PG | PRESSURE GAUGE FOR DELIVERY | 3/8" |
| AC | AIR COCK | 3/8" |
| PM | PRIMING | 3/4" |
| CDS | CASING DRAIN(SUCTION SIDE) | 3/4" |
| CDD | CASING DRAIN(DELIVERY SIDE) | 3/4" |

** GAUGE CONNECTIONS DRILLED AND TAPPED ONLY
WHEN SPECIFICALLY REQUESTED BY THE CUSTOMER.

| S | ANSI 125# FF | 11" | 9-1/2" | 1" | 8, #7/8" | -- | -- | | | | | | | | | | | |
|---|--------------|-----|--------|----|----------|----|----|-----|--------|--------|---------|----|----|--|--|--|--|--|
| D | ANSI 250# FF | | | | | | | 10" | 7-7/8" | 1-1/4" | 8, 7/8" | -- | -- | | | | | |

| REF. NO. | TYPE OF FLANGE. | O.D. | P.C.D. | THK MIN | NO OF HOLES | SIZE OF HOLE | RF R.F. | RF THK | FLANGE | O.D. | P.C.D. | THK MIN | NO OF HOLES | SIZE OF HOLE | RF R.F. | RF THK | FLANGE | |
|----------|-----------------|--------------------|--------|---------|-------------|---------------------|---------|--------|--------|------|--------|---------|-------------|--------------|---------|--------|--------|--|
| | | SUCTION~ 150ø (6") | | | | DELIVERY~ 100ø (4") | | | | | | | | | | | | |



| REV | NO. | REVISION | DATE | BY | CHK |
|-----|-----|----------|------|----|-----|
| | | | | | |

| FISHER PUMP | | | |
|-----------------------------|-----|-------|-------------|
| TITLE- GA DRAWING FOR 4HF13 | | | |
| DRN. | AD. | SCALE | DRAWING NO. |
| | | | |
| CHKD. | BY | DATE | REV. |
| | | | |
| APPD. | BY | DATE | REV. |
| | | | |

PAPER SIZE: E200