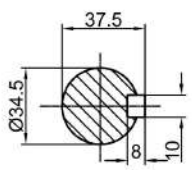
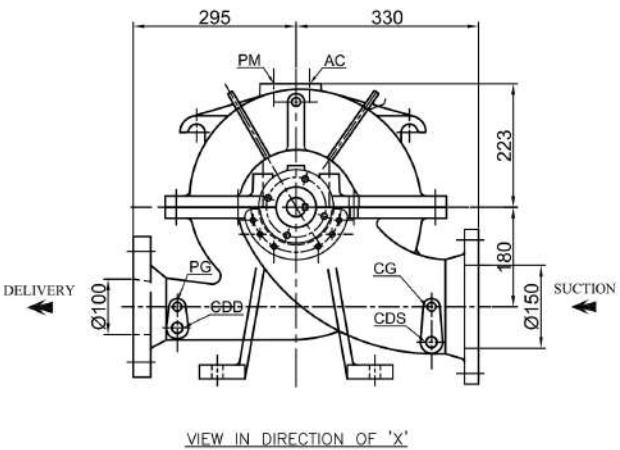
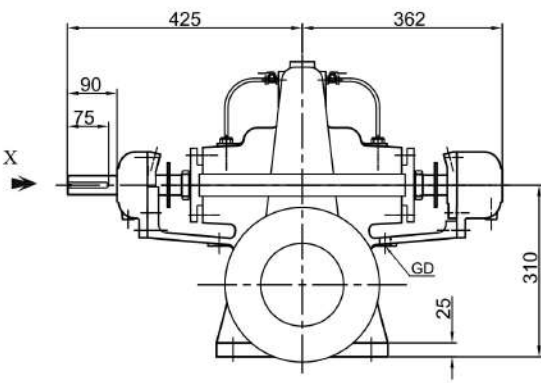


PUMP MODEL - 4HF12L

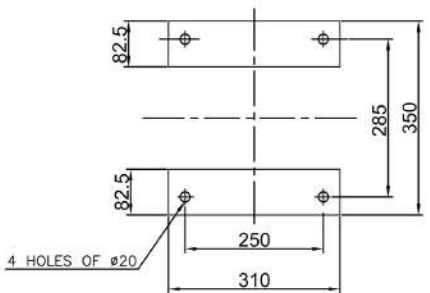
GENERAL ARRANGEMENT DRAWING FOR SINGLE STAGE AXIALLY SPLIT CASE PUMP MODEL - 4HF12L

CLOCK-WISE ROTATION  
LOOKING FROM DRIVE END



SCALE - 4:1  
SHAFT DETAIL AT  
COUPLING END

VIEW IN DIRECTION OF 'X'



PLAN OF PUMP FEET

ALL DIMENSIONS ARE IN MM.  
APPROX. NETT WEIGHT - 224kg.

| CONNECTIONS |                          |            |
|-------------|--------------------------|------------|
| ITEM        | DESCRIPTION              | SIZE (NPT) |
| GD          | GLAND DRAIN              | 1/2"       |
| CG          | COMP. GAUGE FOR SUCTION  | 3/8"       |
| PG          | PR. GAUGE FOR DELIVERY   | 3/8"       |
| AC          | AIR COCK                 | 3/8"       |
| PM          | PRIMING                  | 1/2"       |
| CDS         | CASING DRAIN (SUCT.SIDE) | 1/2"       |
| CDD         | CASING DRAIN (DELY.SIDE) | 1/2"       |

FLANGE TABLE

| S        | ANSI 125#FF    | 11"               | 9-1/2" | 1"      | 8, #7/8"         |                    |                    |        |        |          |                  |    |                    |  |  |
|----------|----------------|-------------------|--------|---------|------------------|--------------------|--------------------|--------|--------|----------|------------------|----|--------------------|--|--|
| D        | ANSI 250#FF    |                   |        |         |                  |                    | 10"                | 7-7/8" | 1-1/4" | 8, #7/8" |                  |    |                    |  |  |
| REF. NO. | TYPE OF FLANGE | O.D.              | P.C.D. | THK MIN | NO. SIZE OF HOLE | RF                 | ØRF. THK RF FLANGE | O.D.   | P.C.D. | THK MIN  | NO. SIZE OF HOLE | RF | ØRF. THK RF FLANGE |  |  |
|          |                | SUCTION - 150(6") |        |         |                  | DELIVERY - 100(4") |                    |        |        |          |                  |    |                    |  |  |

|     |             |      |    |          |          |      |                    |          |  |                                 |     |  |   |  |
|-----|-------------|------|----|----------|----------|------|--------------------|----------|--|---------------------------------|-----|--|---|--|
|     |             |      |    |          |          |      |                    |          |  | <b>FISHER PUMP</b>              |     |  |   |  |
|     |             |      |    |          |          |      |                    |          |  | TITLE-<br>GA DRAWING FOR 4HF12L |     |  |   |  |
|     |             | DRN  | AD | 28.11.16 | DRG. NO. |      |                    |          |  |                                 | REV |  | 0 |  |
|     |             | CHKD | SP | 28.11.16 |          |      | PSF/4HF12L/GA-01/0 |          |  |                                 |     |  |   |  |
| REV | DESCRIPTION |      |    | DRN      | CHKD     | APPD | HS                 | 28.11.16 |  |                                 |     |  |   |  |