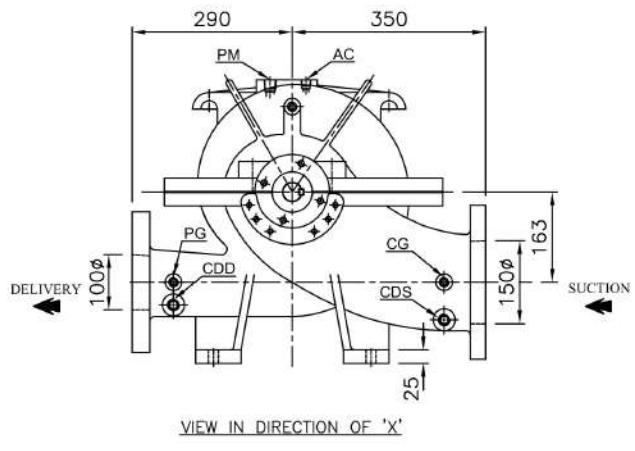
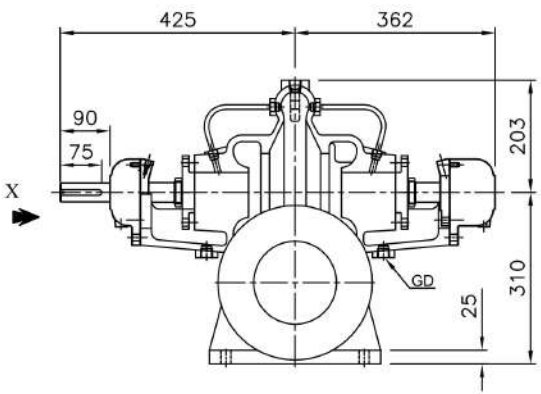
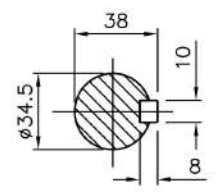


PUMP MODEL - 4HF10

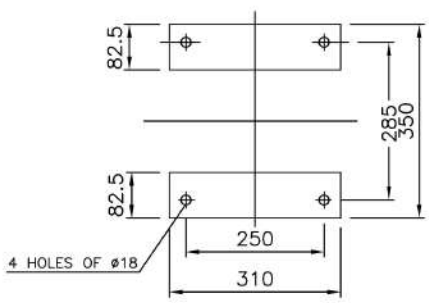
GENERAL ARRANGEMENT DRAWING FOR SINGLE STAGE AXIALLY SPLIT CASE PUMP MODEL - 4HF10



CLOCK-WISE ROTATION
LOOKING FROM DRIVE END



SCALE - 4:1
SHAFT DETAIL AT
COUPLING END



PLAN OF PUMP FEET

ALL DIMENSIONS ARE IN MM.
APPROX. NETT WEIGHT - 205kg.

| CONNECTIONS | | |
|-------------|--------------------------|------------|
| ITEM | DESCRIPTION | SIZE (NPT) |
| GD | GLAND DRAIN | 1/2" |
| CG | COMP. GAUGE FOR SUCTION | 3/8" |
| PG | PR. GAUGE FOR DELIVERY | 3/8" |
| AC | AIR COCK | 3/8" |
| PM | PRIMING | 1/2" |
| CDS | CASING DRAIN (SUCT.SIDE) | 1/2" |
| CDD | CASING DRAIN (DELY.SIDE) | 1/2" |

FLANGE TABLE

| S | ANSI 125#FF | 11" | 9-1/2" | 1" | 8, #7/8" | | | | | | | | | | |
|----------|----------------|-------------------|--------|---------|--------------|--------------|--------------------|--------|--------|----------|------|-----|----|------|-----|
| D | ANSI 250#FF | | | | | | 10" | 7-7/8" | 1-1/4" | 8, #7/8" | | | | | |
| REF. NO. | TYPE OF FLANGE | O.D. | P.C.D. | THK MIN | NO. OF HOLES | SIZE OF HOLE | RF | ORF. | THK | RF | ORF. | THK | RF | ORF. | THK |
| | | SUCTION - 150(6") | | | | | DELIVERY - 100(4") | | | | | | | | |

| FISHER PUMP | | | | | | | | | | |
|----------------------|-------------|----------|-------------------|------|----|--|--|--|--|-------|
| TITLE- | | | | | | | | | | |
| GA DRAWING FOR 4HF10 | | | | | | | | | | |
| DRN | AD | 18.05.20 | DRG. NO. | | | | | | | SCALE |
| CHKD | SP | 18.05.20 | PSF/4HF10/GA-01/0 | | | | | | | 1:1 |
| APPD | HS | 18.05.20 | | | | | | | | REV |
| REV | DESCRIPTION | DRN | CHKD | APPD | HS | | | | | 0 |