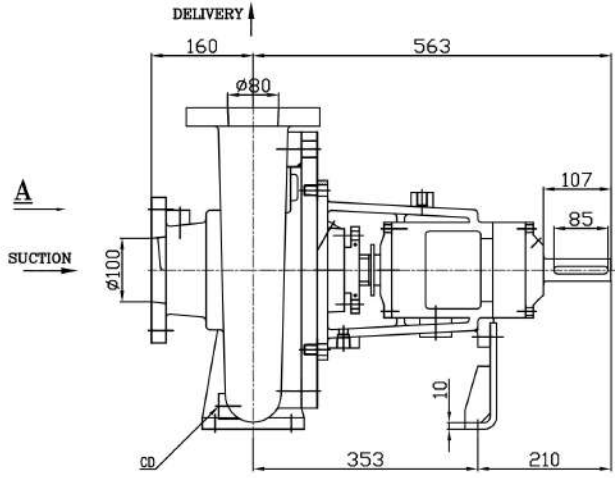
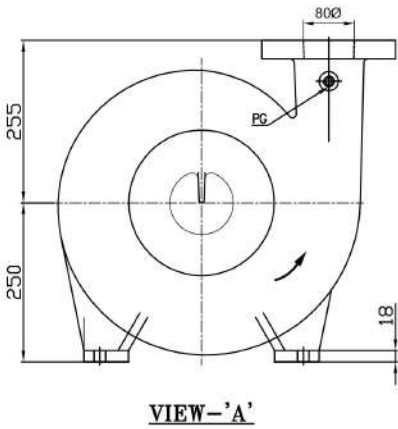
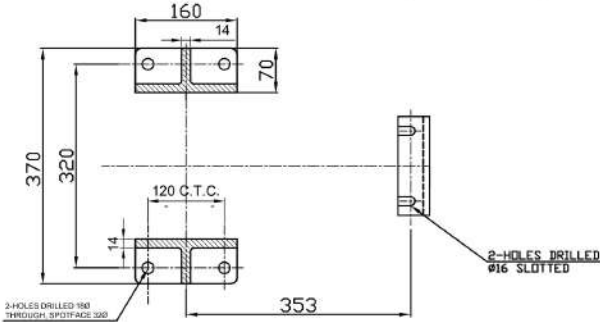
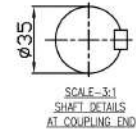


GENERAL ARRANGEMENT DRAWING FOR END SUCTION BACK PULL OUT TYPE PUMP EF80310



CLOCK WISE ROTATION  
LOOKING FROM DRIVE END



PUMP WEIGHT 180kg(Approx)  
ALL DIMENSIONS ARE IN MM.

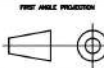
CONNECTIONS		
ITEM	DESCRIPTION	SIZE(NPT)
PG/CG	PRESSURE GAUGE FOR DELIVERY	3/8"
AC	AIR COCK	3/8"
CD	CASING DRAIN	1/2"

IF SHAFT CONNECTIONS DRILLED AND TAPPED ONLY REFER SPECIFICALLY REQUESTED BY THE CUSTOMER.

FOOT PRINT

S	ANSI#125FP	9"	7-1/2"	15/16"	8, #3/4"	—	—	8-1/4"	6-5/8"	1-1/8"	8, #7/8"	—	—
D	ANSI#250FP												
REF. NO.	TYPE OF FLANGE	O.D.	P.C.D.	THK MIN	NO., SIZE OF HOLE	RF THK OF FLANGE	O.D.	P.C.D.	THK MIN	NO., SIZE OF HOLE	RF THK OF FLANGE	O.D.	P.C.D.
		SUCTION - Ø100						DELIVERY - Ø80					

THIS DRAWING MUST NOT BE COPIED WITHOUT WRITTEN PERMISSION AND THE COMPANY THEREOF MUST NOT BE IMPAIRED TO A THIRD PARTY NOR BE USED FOR ANY UNAUTHORIZED PURPOSES. CONSEQUENCES WILL BE PROSECUTED.



DESIGNER	CHECKED	DATE	SCALE	PROJECT NO.

FISHER PUMP				
GA DRAWING FOR EF80310				
REV.	DATE	BY	CHKD.	APP'D.
01	10/20/20			