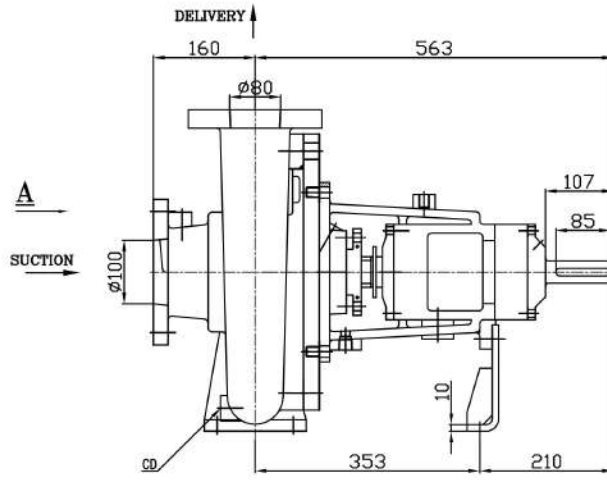
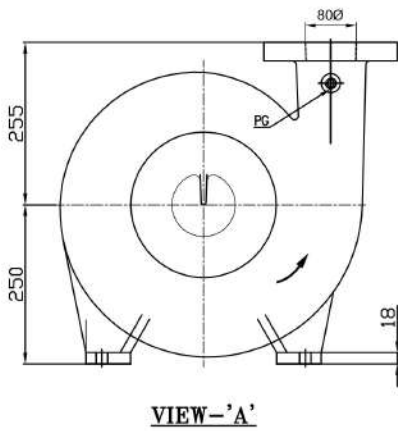
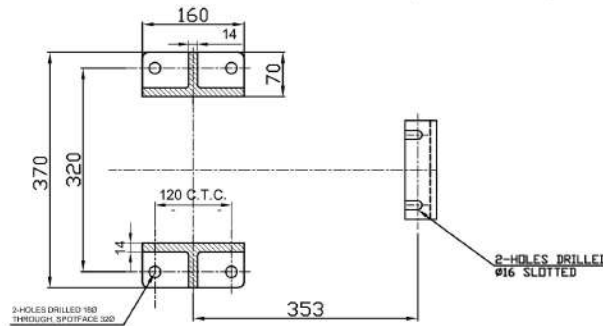
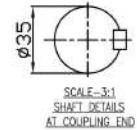


GENERAL ARRANGEMENT DRAWING FOR END SUCTION BACK PULL OUT TYPE PUMP EF80310



CLOCK WISE ROTATION
LOOKING FROM DRIVE END



PUMP WEIGHT 180kg(Approx)
ALL DIMENSIONS ARE IN MM.

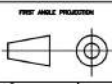
CONNECTIONS		
ITEM	DESCRIPTION	SIZE(NPT)
PG/CS	PRESSURE GAUGE FOR DELIVERY	3/8"
AC	AIR COCK	3/8"
CD	CASING DRAIN	1/2"

IF DRINK CONNECTIONS DELIVER AND LIFTED ONLY
BEEN SPECIFICALLY REQUESTED BY THE CUSTOMER.

FOOT PRINT

REF. NO.	TYPE OF FLANGE	O.D.	P.C.D.	THK MIN	NO. OF HOLES	SIZE OF HOLE	RF	RF THK OF FLANGE	O.D.	P.C.D.	THK MIN	NO. OF HOLES	SIZE OF HOLE	RF	RF THK OF FLANGE
S	ANSI#125FF	9"	7-1/2"	15/16"	8	Ø3/4"	—	—	8-1/4"	8-5/8"	1-1/8"	8	Ø7/8"	—	—
D	ANSI#250FF														
SUCTION - Ø100								DELIVERY - Ø80							

THIS DRAWING MUST NOT BE COPIED
WITHOUT WRITTEN PERMISSION
AND THE CONTENTS THEREOF
MUST NOT BE REPRODUCED OR
TRANSMITTED IN ANY FORM OR BY
ANY MEANS, ELECTRONIC OR
MECHANICAL, INCLUDING
PHOTOCOPYING, RECORDING,
OR BY ANY INFORMATION
STORAGE AND RETRIEVAL
SYSTEMS, WITHOUT THE
PRIOR WRITTEN PERMISSION
OF THE COMPANY.



REV.	NO.	DESCRIPTION	DATE	BY	CHECKED

FISHER PUMP					
GA DRAWING FOR EF80310					
NO.	DATE	SCALE	DRAWING NO.	EDITION NO.	REV.