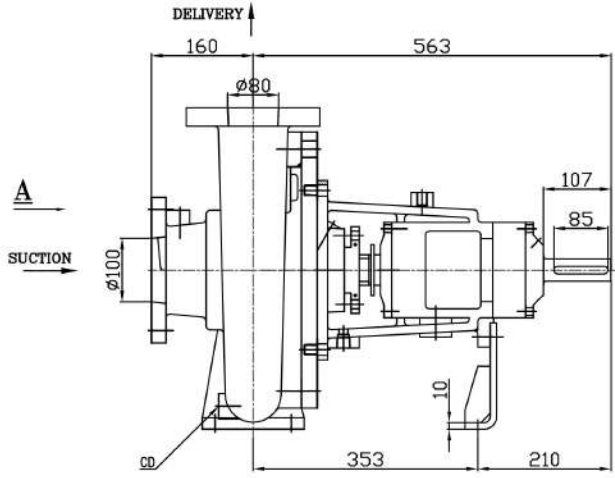
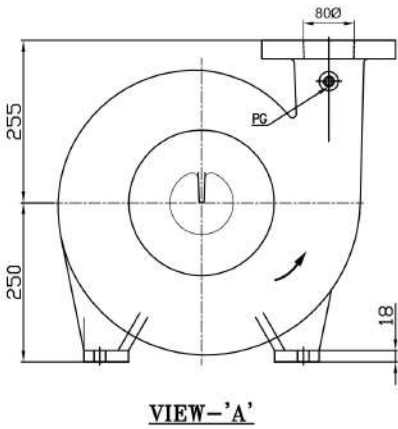
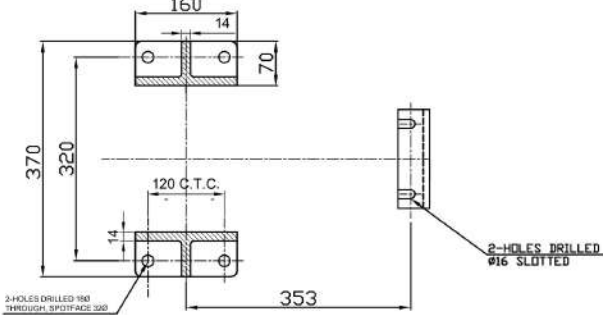
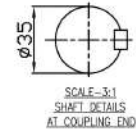


GENERAL ARRANGEMENT DRAWING FOR END SUCTION BACK PULL OUT TYPE PUMP EF80310



CLOCK WISE ROTATION
LOOKING FROM DRIVE END



PUMP WEIGHT 180kg(Approx)
ALL DIMENSIONS ARE IN MM.

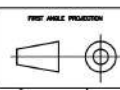
| CONNECTIONS | | |
|-------------|-----------------------------|-----------|
| ITEM | DESCRIPTION | SIZE(NPT) |
| PG/CG | PRESSURE GAUGE FOR DELIVERY | 3/8" |
| AC | AIR COCK | 3/8" |
| CD | CASING DRAIN | 1/2" |

IF GAUGE CONNECTIONS DRILLED AND TAPPED ONLY REFER SPECIFICALLY REQUESTED BY THE CUSTOMER.

FOOT PRINT

| S | ANSI#125FP | 9" | 7-1/2" | 15/16" | 8, #3/4" | — | — | 8-1/4" | 6-5/8" | 1-1/8" | 8, #7/8" | — | — |
|----------|----------------|----------------------|--------|---------|-------------------|------------------|------|----------------------|---------|-------------------|------------------|------|--------|
| D | ANSI#250FP | | | | | | | | | | | | |
| REF. NO. | TYPE OF FLANGE | O.D. | P.C.D. | THK MIN | NO., SIZE OF HOLE | RF THK OF FLANGE | O.D. | P.C.D. | THK MIN | NO., SIZE OF HOLE | RF THK OF FLANGE | O.D. | P.C.D. |
| | | SUCTION - ϕ 100 | | | | | | DELIVERY - ϕ 80 | | | | | |

THIS DRAWING MUST NOT BE COPIED WITHOUT WRITTEN PERMISSION AND THE COMPANY THEREOF MUST NOT BE IMPAIRED TO A THIRD PARTY FOR ANY UNAUTHORIZED PURPOSES. CONSEQUENCES WILL BE PROSECUTED.



| | | | | | |
|----------|---------|------|-------|-------------|----------|
| DESIGNER | CHECKED | DATE | SCALE | PROJECT NO. | REVISION |
| | | | | | |

| FISHER PUMP | | | | |
|------------------------|-------|----------|-------------|--------------|
| GA DRAWING FOR EF80310 | | | | |
| DRN. NO. | SCALE | DATE | PROJECT NO. | REVISION NO. |
| 101 | 1:1 | 10/10/00 | 101 | 1 |