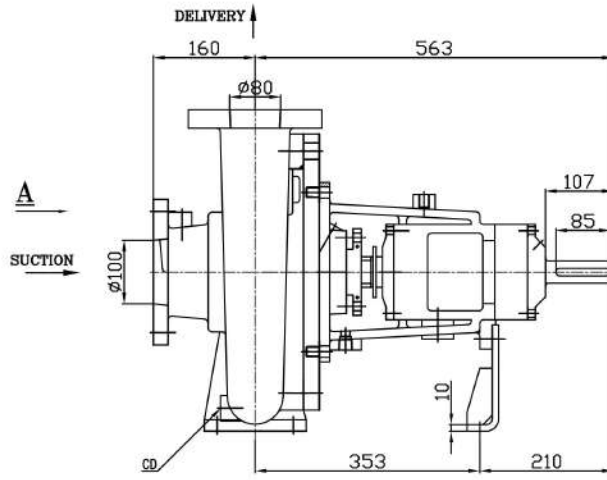
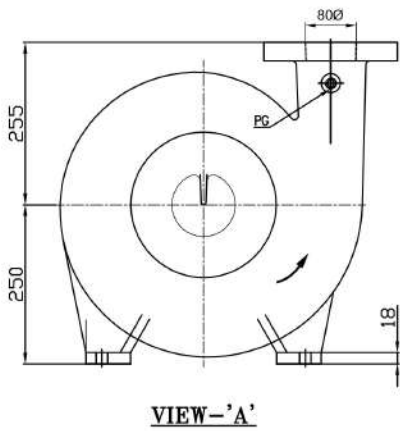
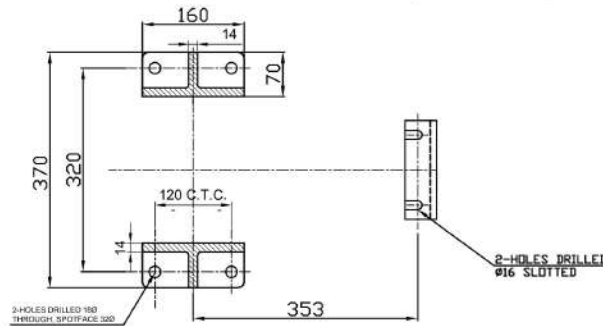
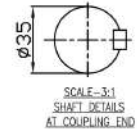


GENERAL ARRANGEMENT DRAWING FOR END SUCTION BACK PULL OUT TYPE PUMP EF80310



CLOCK WISE ROTATION  
LOOKING FROM DRIVE END



PUMP WEIGHT 180kg(Approx)  
ALL DIMENSIONS ARE IN MM.

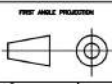
CONNECTIONS		
ITEM	DESCRIPTION	SIZE(NPT)
PG/CS	PRESSURE GAUGE FOR DELIVERY	3/8"
AC	AIR COCK	3/8"
CD	CASING DRAIN	1/2"

IF DRINK CONNECTIONS DELIVER AND LIFTED ONLY  
BEEN SPECIFICALLY REQUESTED BY THE CUSTOMER.

FOOT PRINT

S	ANSI#125FF	9"	7-1/2"	15/16"	8, #3/4"					
D	ANSI#250FF					8-1/4"	8-5/8"	1-1/8"	8, #7/8"	
REF. NO.	TYPE OF FLANGE	O.D.	P.C.D.	THK MIN	NO. SIZE OF HOLE	RF	RF	THK	RF	RF
		SUCTION - Ø100				DELIVERY - Ø80				

THIS DRAWING MUST NOT BE COPIED  
WITHOUT WRITTEN PERMISSION  
AND THE CONTENTS THEREOF  
MUST NOT BE REPRODUCED OR  
TRANSMITTED IN ANY FORM OR BY  
ANY MEANS, ELECTRONIC OR  
MECHANICAL, INCLUDING  
PHOTOCOPYING, RECORDING,  
OR BY ANY INFORMATION  
SYSTEMS WITHOUT THE  
PRIOR WRITTEN PERMISSION  
OF FISHER PUMP.



REV.	NO.	REVISION	DATE	BY	CHECKED

FISHER PUMP					
GA DRAWING FOR EF80310					
NO.	REV.	DATE	BY	CHECKED	APPROVED