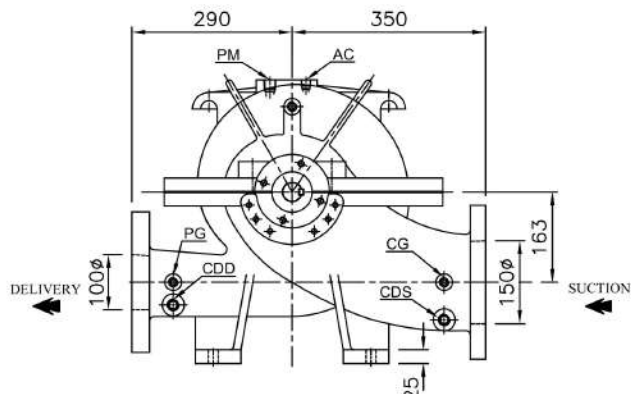
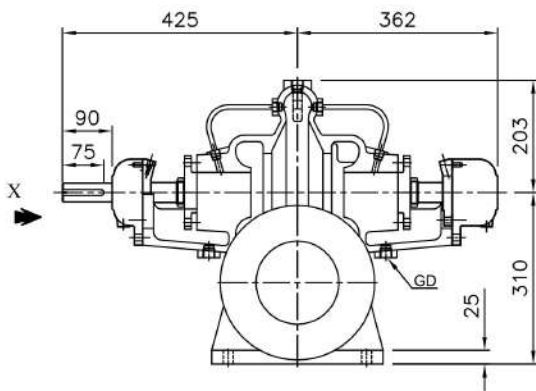
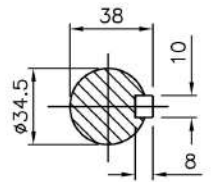


PUMP MODEL - 4HF10

GENERAL ARRANGEMENT DRAWING FOR SINGLE STAGE AXIALLY SPLIT CASE PUMP MODEL - 4HF10



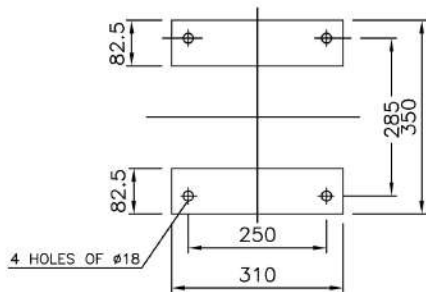
CLOCK-WISE ROTATION  
LOOKING FROM DRIVE END



SCALE - 4:1  
SHAFT DETAIL AT  
COUPLING END

VIEW IN DIRECTION OF 'X'

ALL DIMENSIONS ARE IN MM.  
APPROX. NETT WEIGHT - 205kg.



PLAN OF PUMP FEET

CONNECTIONS		
ITEM	DESCRIPTION	SIZE (NPT)
GD	GLAND DRAIN	1/2"
CG	COMP. GAUGE FOR SUCTION	3/8"
PG	PR. GAUGE FOR DELIVERY	3/8"
AC	AIR COCK	3/8"
PM	PRIMING	1/2"
CDS	CASING DRAIN (SUCT.SIDE)	1/2"
CDD	CASING DRAIN (DELY.SIDE)	1/2"

FLANGE TABLE

S	ANSI 125#FF	11"	9-1/2"	1"	8, #7/8"										
D	ANSI 250#FF						10"	7-7/8"	1-1/4"	8, #7/8"					
REF. NO.	TYPE OF FLANGE	O.D.	P.C.D.	THK MIN	NO. SIZE OF HOLE	RF	ORF. THK RF FLANGE	O.D.	P.C.D.	THK MIN	NO. SIZE OF HOLE	RF	ORF. THK RF FLANGE		
		SUCTION - 150(6")				DELIVERY - 100(4")									

FISHER PUMP											
TITLE-										SCALE	
GA DRAWING FOR 4HF10										1:1	
DRN	AD	18.05.20								DRG. NO.	
CHKD	SP	18.05.20								REV	
APPD	HS	18.05.20								0	
REV	DESCRIPTION	DRN	CHKD	APPD	HS	PSF/4HF10/GA-01/0					