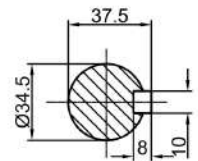
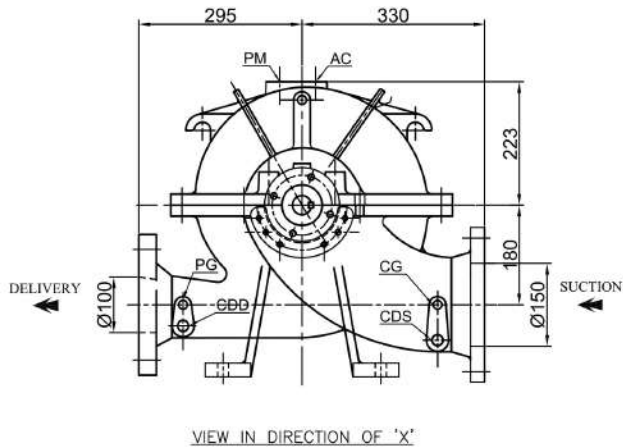
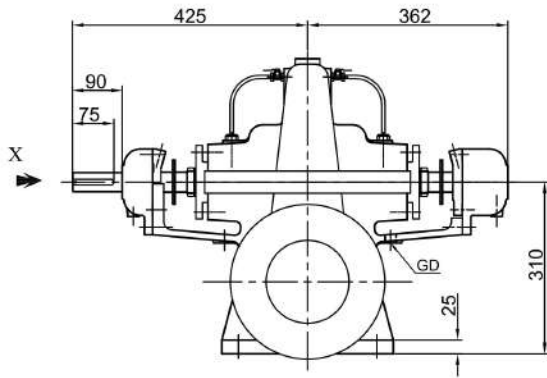


PUMP MODEL - 4HF12L

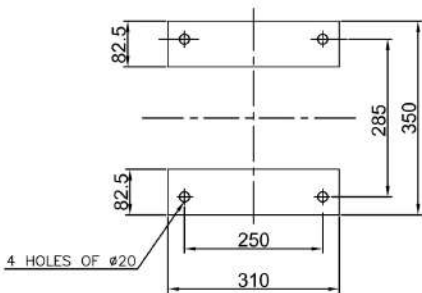
GENERAL ARRANGEMENT DRAWING FOR SINGLE STAGE AXIALLY SPLIT CASE PUMP MODEL - 4HF12L

CLOCK-WISE ROTATION
LOOKING FROM DRIVE END



SCALE - 4:1
SHAFT DETAIL AT
COUPLING END

VIEW IN DIRECTION OF 'X'



PLAN OF PUMP FEET

ALL DIMENSIONS ARE IN MM.
APPROX. NETT WEIGHT - 224kg.

CONNECTIONS

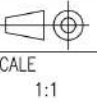
| ITEM | DESCRIPTION | SIZE (NPT) |
|------|--------------------------|------------|
| GD | GLAND DRAIN | 1/2" |
| CG | COMP. GAUGE FOR SUCTION | 3/8" |
| PG | PR. GAUGE FOR DELIVERY | 3/8" |
| AC | AIR COCK | 3/8" |
| PM | PRIMING | 1/2" |
| CDS | CASING DRAIN (SUCT.SIDE) | 1/2" |
| CDD | CASING DRAIN (DELY.SIDE) | 1/2" |

FLANGE TABLE

| S | ANSI 125#FF | 11" | 9-1/2" | 1" | 8, #7/8" | | | | | | | | | | | | | | |
|----------|----------------|------|--------|---------|------------------|--------------------|------|--------|--------|----------|------|--------|---------|------------------|----|------|-----|----|--------|
| D | ANSI 250#FF | | | | | | 10" | 7-7/8" | 1-1/4" | 8, #7/8" | | | | | | | | | |
| REF. NO. | TYPE OF FLANGE | O.D. | P.C.D. | THK MIN | NO. SIZE OF HOLE | RF | DRF. | THK | RF | FLANGE | O.D. | P.C.D. | THK MIN | NO. SIZE OF HOLE | RF | DRF. | THK | RF | FLANGE |
| | | | | | | SUCTION - 150(6") | | | | | | | | | | | | | |
| | | | | | | DELIVERY - 100(4") | | | | | | | | | | | | | |

FISHER PUMP

TITLE-
GA DRAWING FOR 4HF12L



SCALE
1:1

| | | | |
|------|----|----------|--------------------------------|
| DRN | AD | 28.11.16 | DRG. NO. PSF/4HF12L/GA-01/0 |
| CHKD | SP | 28.11.16 | |
| APPD | HS | 28.11.16 | |

REV
0

| REV | DESCRIPTION | DRN | CHKD | APPD | HS | 28.11.16 |
|-----|-------------|-----|------|------|----|----------|
| | | | | | | |