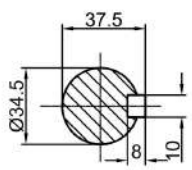
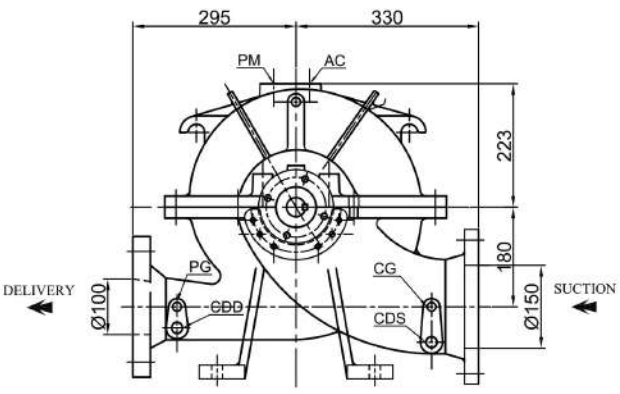
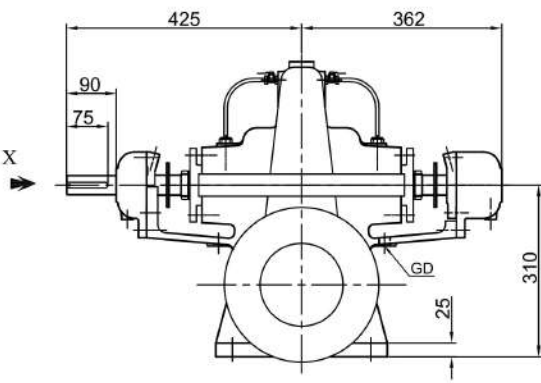


PUMP MODEL - 4HF12L

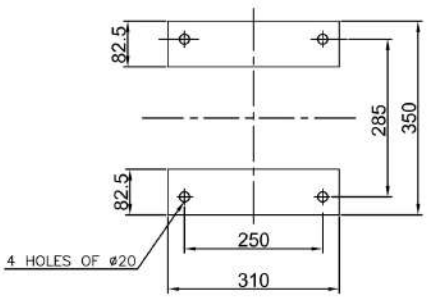
GENERAL ARRANGEMENT DRAWING FOR SINGLE STAGE AXIALLY SPLIT CASE PUMP MODEL - 4HF12L

CLOCK-WISE ROTATION  
LOOKING FROM DRIVE END



SCALE - 4:1  
SHAFT DETAIL AT  
COUPLING END

VIEW IN DIRECTION OF 'X'



PLAN OF PUMP FEET

ALL DIMENSIONS ARE IN MM.  
APPROX. NETT WEIGHT - 224kg.

CONNECTIONS		
ITEM	DESCRIPTION	SIZE (NPT)
GD	GLAND DRAIN	1/2"
CG	COMP. GAUGE FOR SUCTION	3/8"
PG	PR. GAUGE FOR DELIVERY	3/8"
AC	AIR COCK	3/8"
PM	PRIMING	1/2"
CDS	CASING DRAIN (SUCTION SIDE)	1/2"
CDD	CASING DRAIN (DELIVERY SIDE)	1/2"

FLANGE TABLE

S	ANSI 125#FF	11"	9-1/2"	1"	8, #7/8"																
D	ANSI 250#FF						10"	7-7/8"	1-1/4"	8, #7/8"											
REF. NO.	TYPE OF FLANGE	O.D.	P.C.D.	THK MIN	NO. OF HOLES	SIZE OF HOLE	RF	ØRF.	THK	RF	FLANGE	O.D.	P.C.D.	THK MIN	NO. OF HOLES	SIZE OF HOLE	RF	ØRF.	THK	RF	FLANGE
						SUCTION - 150(6")						DELIVERY - 100(4")									

FISHER PUMP										
TITLE- GA DRAWING FOR 4HF12L										
DRN	AD	28.11.16	DRG. NO.							SCALE
CHKD	SP	28.11.16	PSF/4HF12L/GA-01/0							REV
APPD	HS	28.11.16								0
REV	DESCRIPTION	DRN	CHKD	APPD	HS					