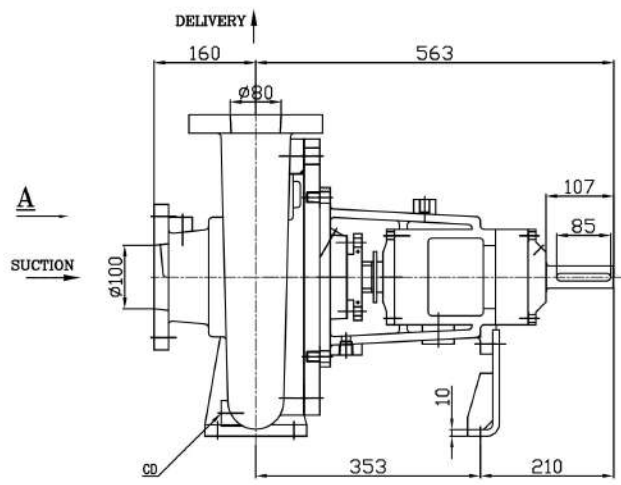
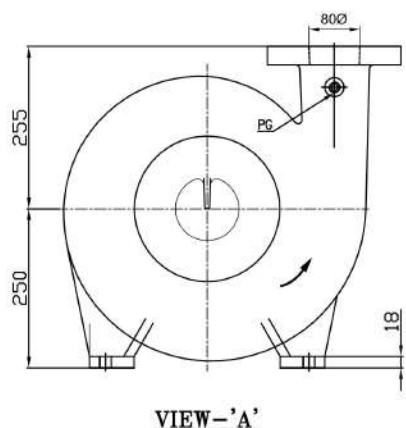
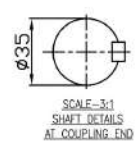


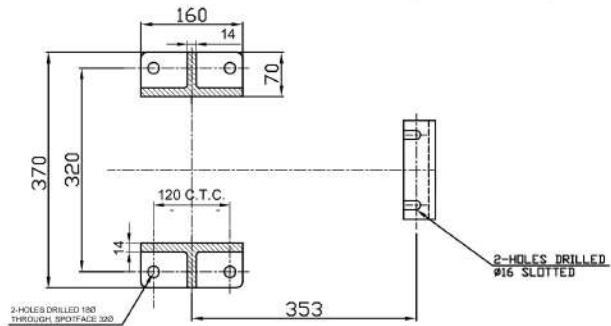
GENERAL ARRANGEMENT DRAWING FOR END SUCTION BACK PULL OUT TYPE PUMP EF80310



CLOCK WISE ROTATION
LOOKING FROM DRIVE END



SCALE-3:1
SHAFT DETAILS
AT COUPLING END



PUMP WEIGHT 180kg(Approx)
ALL DIMENSIONS ARE IN MM.

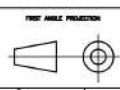
CONNECTIONS		
ITEM	DESCRIPTION	SIZE(NPT)
PG/CS	PRESSURE GAUGE FOR DELIVERY	3/8"
AC	AIR COCK	3/8"
CD	CASING DRAIN	1/2"

IF GAUGE CONNECTIONS DRILLED AND TAPPED ONLY
BEEN SPECIFICALLY REQUESTED BY THE CUSTOMER.

FOOT PRINT

REF. NO.	TYPE OF FLANGE	O.D.	P.C.D.	THK MIN	NO. OF HOLES	SIZE OF HOLE	RF	RF THK OF FLANGE	O.D.	P.C.D.	THK MIN	NO. OF HOLES	SIZE OF HOLE	RF	RF THK OF FLANGE
S	ANSI#125FF	9"	7-1/2"	15/16"	8	#3/4"	---	---	8-1/4"	8-5/8"	1-1/8"	8	#7/8"	---	---
D	ANSI#250FF														
SUCTION - $\phi 100$								DELIVERY - $\phi 80$							

THIS DRAWING MUST NOT BE COPIED
WITHOUT WRITTEN PERMISSION
AND THE COPYRIGHT THEREOF
MUST NOT BE ASSIGNED TO A
THIRD PARTY AND BE USED FOR
ANY UNAUTHORIZED PURPOSES.
CONTRADICTION WILL BE
PROSECUTED.



REV.	NO.	DESCRIPTION	DATE

FISHER PUMP			
GA DRAWING FOR EF80310			
REV.	NO.	DESCRIPTION	DATE