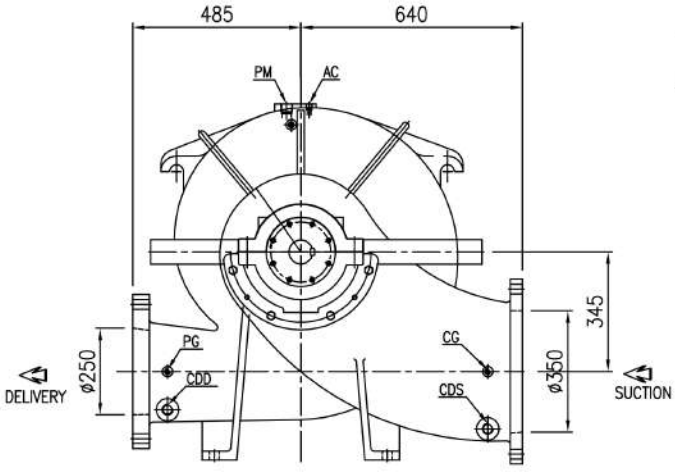
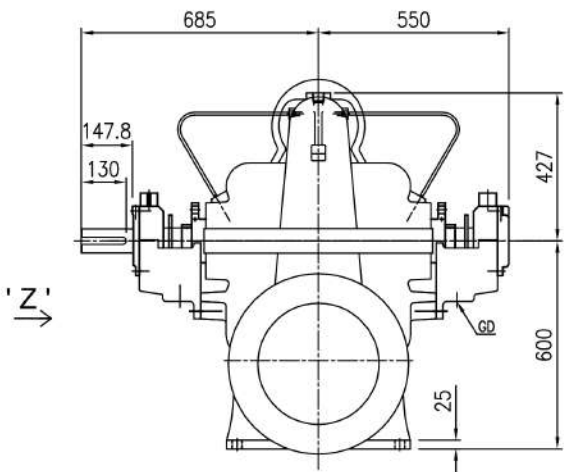
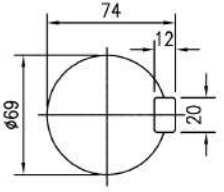


PUMP MODEL - 10HF20

GENERAL ARRANGEMENT DRAWING FOR SINGLE STAGE AXIALLY SPLIT CASE PUMP MODEL - 10HF20

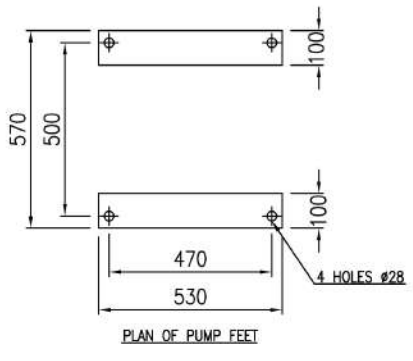


CLOCK-WISE ROTATION
LOOKING FROM DRIVE END



SCALE - 5:1
SHAFT DETAIL AT
COUPLING END

VIEW IN DIRECTION OF ' Z '



ALL DIMENSIONS ARE IN MM.

CONNECTIONS		
ITEM	DESCRIPTION	SIZE(NPT)
GD	GLAND DRAIN	1"
CG	COMPOUND GAUGE FOR SUCTION	3/8"
PG	PRESSURE GAUGE FOR DELIVERY	3/8"
AC	AIR COCK	3/8"
PM	PRIMING	1-1/2"
CDS	CASING DRAIN(SUCTION SIDE)	1"
CDD	CASING DRAIN(DELIVERY SIDE)	1"

* GAUGE CONNECTIONS SHOWN AND TAPPED ONLY
THIS SPECIFICALLY REQUESTED BY THE CUSTOMER.

PROJECT NAME-	JOB NO.-
FISHER PUMP	
TITLE-	
GA DRG. FOR 10HF20	
DRN	18.08.14
CHKD	18.08.14
APPD	18.08.14
DRG. NO.	827GA10Y
SCALE	1:1
REV	0

S	ANSI#250	23"	20-1/4"	2-1/8"	20, #1-1/4"											
D	ANSI#250						17-1/2"	15-1/4"	1-7/8"	16, #1-1/8"						
REF. NO.	TYPE OF FLANGE.	O.D.	P.C.D.	THK MIN	NO SIZE OF HOLE OFF C/L	RF#	RF THK	RF THK	O.D.	P.C.D.	THK MIN	NO SIZE OF HOLE OFF C/L	RF#	RF THK	RF THK	
		SUCTION - #350						DELIVERY - #250								

REV	DESCRIPTION	DRN	CHKD	DATE