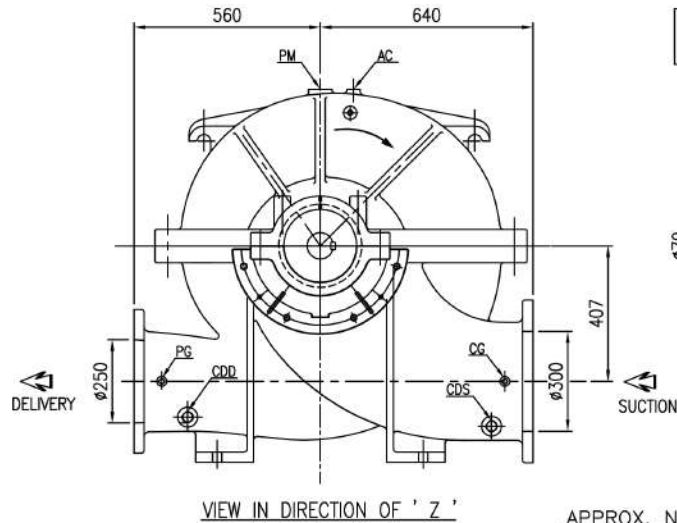
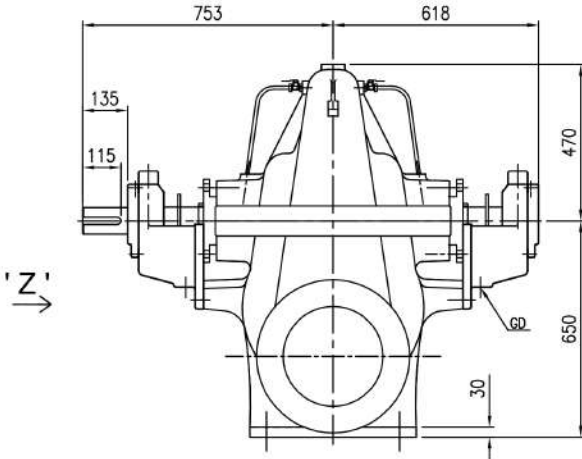
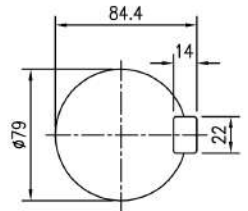


PUMP MODEL - 10HF27

GENERAL ARRANGEMENT DRAWING FOR SINGLE STAGE AXIALLY SPLIT CASE PUMP MODEL - 10HF27

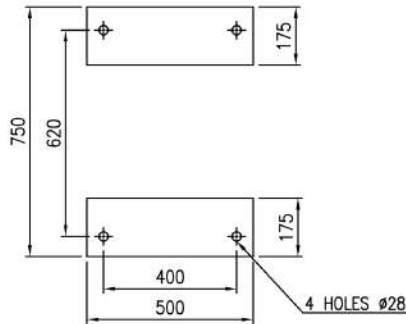


CLOCK-WISE ROTATION  
LOOKING FROM DRIVE END

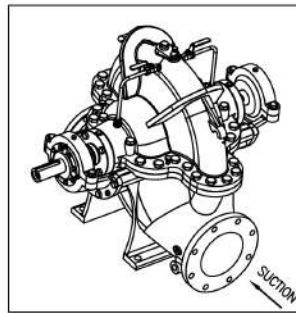


SCALE - 5:1  
SHAFT DETAIL AT  
COUPLING END

VIEW IN DIRECTION OF ' Z '



PLAN OF PUMP FEET



APPROX. NET WEIGHT - 1493kg.  
ALL DIMENSIONS ARE IN MM.

CONNECTIONS		
ITEM	DESCRIPTION	SIZE(NPT)
GD	GLAND DRAIN	3/4"
CG	COMPOUND GAUGE FOR SUCTION	3/8"
PG	PRESSURE GAUGE FOR DELIVERY	3/8"
AC	AIR COCK	3/8"
PM	PRIMING	1-1/2" Δ
CDS	CASING DRAIN(SUCTION SIDE)	1"
CDD	CASING DRAIN(DELIVERY SIDE)	1"

\*\* GASKET CONNECTORS, BRILLEN AND TIGHTEN ONLY  
WHEN SPECIFICALLY REQUESTED BY THE CUSTOMER

PROJECT NAME- JOB NO.-

**FISHER PUMP**

TITLE -  
GA DRAWING FOR 10HF27



SCALE

1:1

DRN AD 07.07.15 DRG. NO.  
CHKD SP 07.07.15  
APPD HS 07.07.15 PSF/10HF27/GA-01

REV

1

S	PN 16	460	410	28	12, 26	—	—							
D	PN 16							405	355	26	12, 26	—	—	
REF. NO.	TYPE OF FLANGE	O.D.	P.C.D.	THK MIN	NO. SIZE OF HOLE	RF	ØRF.THK RF FLANGE	O.D.	P.C.D.	THK MIN	NO. SIZE OF HOLE	RF	ØRF.THK RF FLANGE	
		SUCTION - ø300				DELIVERY - ø250								

1	PRIMING NPT CHANGED FROM 1"NPT TO 1-1/2"NPT	SN	AD	21.06.22
REV	DESCRIPTION	DRN	CHKD	DATE

DRN AD 07.07.15 DRG. NO.  
CHKD SP 07.07.15  
APPD HS 07.07.15 PSF/10HF27/GA-01