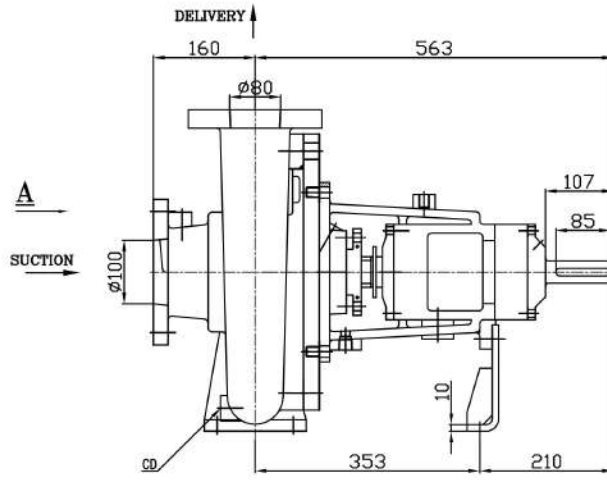
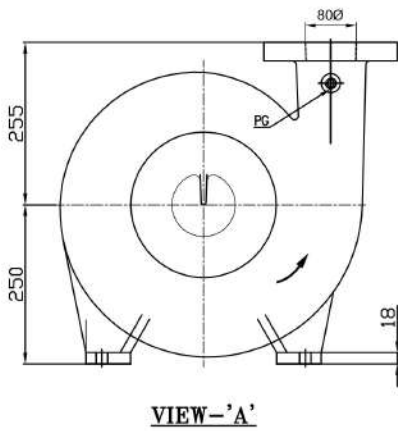
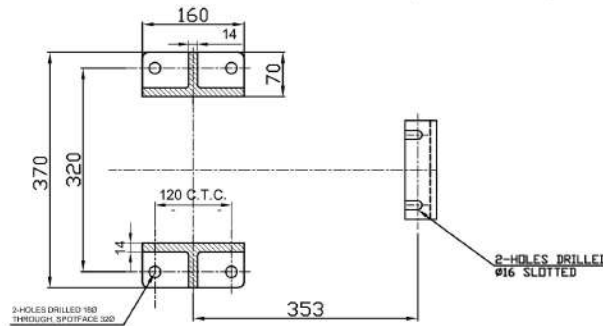
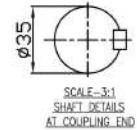


GENERAL ARRANGEMENT DRAWING FOR END SUCTION BACK PULL OUT TYPE PUMP EF80310



CLOCK WISE ROTATION  
LOOKING FROM DRIVE END



PUMP WEIGHT 180kg(Approx)  
ALL DIMENSIONS ARE IN MM.

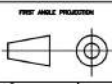
CONNECTIONS		
ITEM	DESCRIPTION	SIZE(NPT)
PG/CS	PRESSURE GAUGE FOR DELIVERY	3/8"
AC	AIR COCK	3/8"
CD	CASING DRAIN	1/2"

IF DRINK CONNECTIONS DELIVER AND LIFTED ONLY WHEN SPECIFICALLY REQUESTED BY THE CUSTOMER.

FOOT PRINT

REF. NO.	TYPE OF FLANGE	O.D.	P.C.D.	THK MIN	NO. OF HOLES	SIZE OF HOLE	RF	Q	RF	THK OF FLANGE
S	ANSI#125FF	9"	7-1/2"	15/16"	8	#3/4"	—	—	—	—
D	ANSI#250FF						8-1/4"	8-5/8"	1-1/8"	8, #7/8"
SUCTION - $\phi 100$						DELIVERY - $\phi 80$				

THIS DRAWING MUST NOT BE COPIED WITHOUT WRITTEN PERMISSION AND THE CONTENTS THEREOF MUST NOT BE REPRODUCED IN ANY FORM OR BY ANY MEANS FOR ANY UNAUTHORIZED PURPOSES. CONTINUATION WILL BE PROVIDED.



REV.	NO.	REVISION	DATE	BY	CHK.

FISHER PUMP				
GA DRAWING FOR EF80310				
DRG. NO.	SCALE	DRIVING NO.	EDITION NO.	REV.