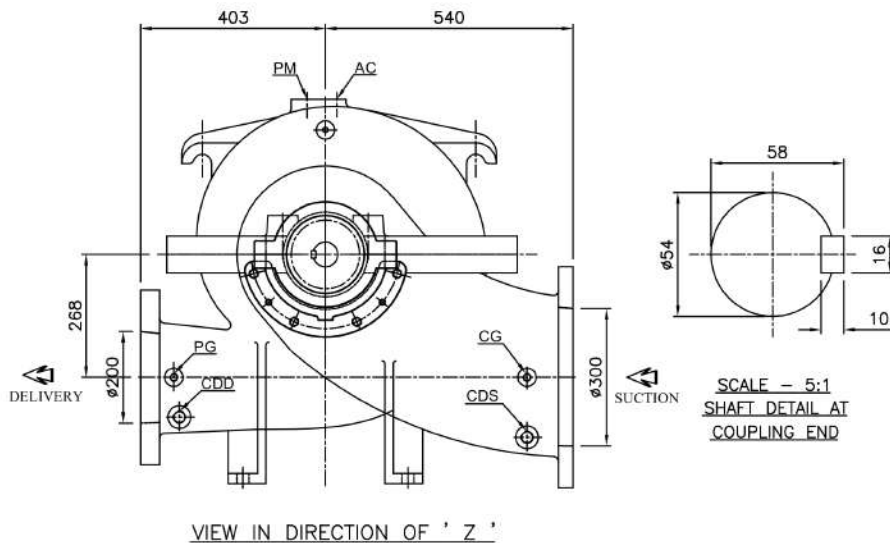
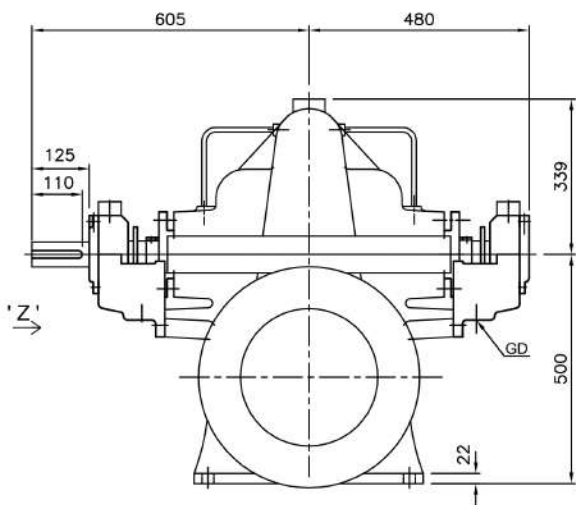


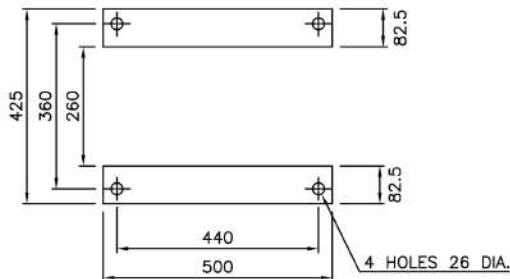
PUMP MODEL- 8HF15

GENERAL ARRANGEMENT DRAWING FOR SINGLE STAGE AXIALLY SPLIT CASE PUMP MODEL - 8HF15



SCALE - 5:1
SHAFT DETAIL AT
COUPLING END

VIEW IN DIRECTION OF ' Z '



PLAN OF PUMP FEET

APPROX. NET WEIGHT -726 kg.
ALL DIMENSIONS ARE IN MM.

FISHER PUMP

CONNECTIONS		
ITEM	DESCRIPTION	SIZE(NPT)
GD	GLAND DRAIN	3/4"
CG	COMPOUND GAUGE FOR SUCTION	3/8"
PG	PRESSURE GAUGE FOR DELIVERY	3/8"
AC	AIR COCK	3/8"
PM	PRIMING	1"
CDS	CASING DRAIN(SUCTION SIDE)	3/4"
CDD	CASING DRAIN(DELIVERY SIDE)	3/4"

S	ANSI 250#FF										TITLE-		SCALE					
	20-1/2"	17-3/4"	2"	16, Ø1-1/4"	-	-	15"	13"	1-5/8"	12, Ø1"	-	-		1:1				
D	ANSI 250#FF										GA DRAWING FOR 8HF15		REV					
REF. NO.	TYPE OF FLANGE.	O.D.	P.C.D.	THK MIN	NO. SIZE OF HOLE	RF Ø	RF THK	RF FLANGE	O.D.	P.C.D.	THK MIN	NO. SIZE OF HOLE		RF Ø	RF THK	RF FLANGE	DRG. NO.	SCALE
		SUCTION 300 DIA.					DELIVERY 200 DIA					PSF/8HF15/GA-01	0					
	REV	DESCRIPTION										DRN	CHKD	APPD	HS	03.08.17		