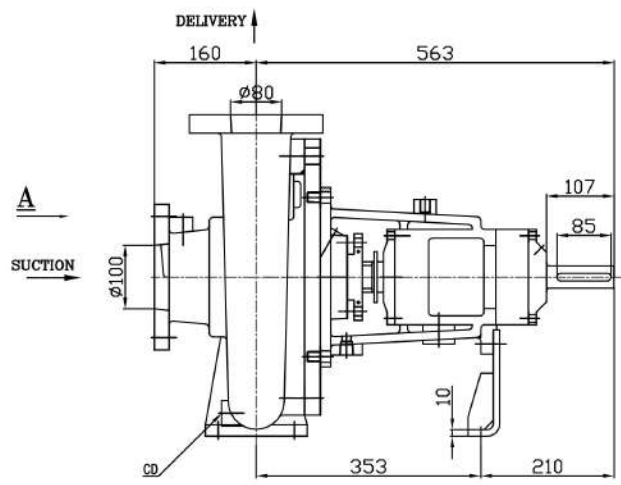
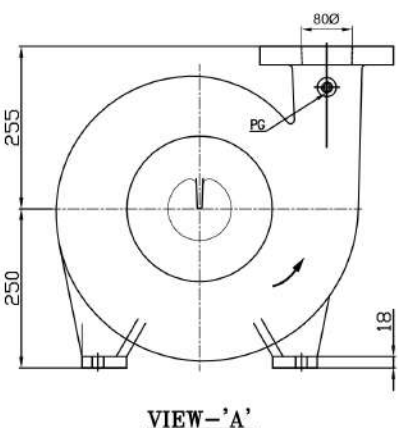
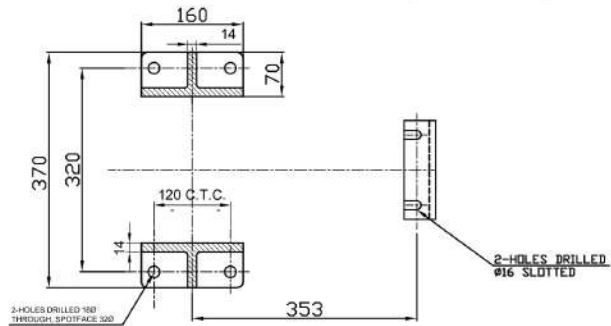
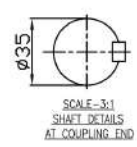


GENERAL ARRANGEMENT DRAWING FOR END SUCTION BACK PULL OUT TYPE PUMP EF80310



CLOCK WISE ROTATION  
LOOKING FROM DRIVE END



PUMP WEIGHT 180kg(Approx)  
ALL DIMENSIONS ARE IN MM.

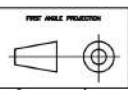
CONNECTIONS		
ITEM	DESCRIPTION	SIZE(NPT)
PG/CG	PRESSURE GAUGE FOR DELIVERY	3/8"
AC	AIR COCK	3/8"
CD	CASING DRAIN	1/2"

2" SHAKE CONNECTIONS DRILLED AND TAPPED ONLY  
BEEN SPECIFICALLY REQUESTED BY THE CUSTOMER.

FOOT PRINT

S	ANSI#	125FF	9"	7-1/2"	15/16"	8, #3/4"												
D	ANSI#	250FF							8-1/4"	6-5/8"	1-1/8"	8, #7/8"						
REF. NO.	TYPE OF FLANGE	O.D.	P.C.D.	THK MIN	NO. OF HOLES	SIZE OF HOLE	RF	ØRF. THK	O.D.	P.C.D.	THK MIN	NO. OF HOLES	SIZE OF HOLE	RF	ØRF. THK			
		SUCTION - Ø100								DELIVERY - Ø80								

THIS DRAWING MUST NOT BE COPIED  
WITHOUT WRITTEN PERMISSION  
AND THE CONDITIONS THEREOF  
MAY NOT BE APPLIED TO A  
THIRD PARTY AND BE USED FOR  
ANY UNAUTHORIZED PURPOSES.  
CONTRADICTIONS WILL BE  
PROSECUTED.



NO.	REVISION	DATE	BY	CHK.

FISHER PUMP				
GA DRAWING FOR EF80310				
DRN.	AD.	14.03.00	SCALE	DRWING NO.
CHG.	AS	18.03.00	1:1	FW/DF 80-210/PA-01
APPR.	TS	11.03.00		
IDENTIFICATION NO.	REV.			