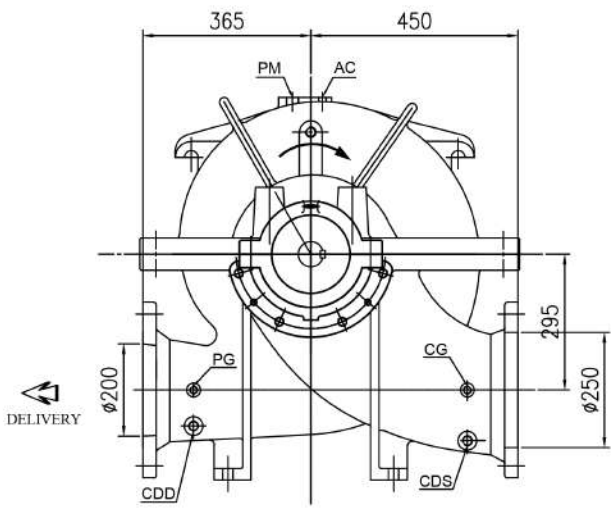
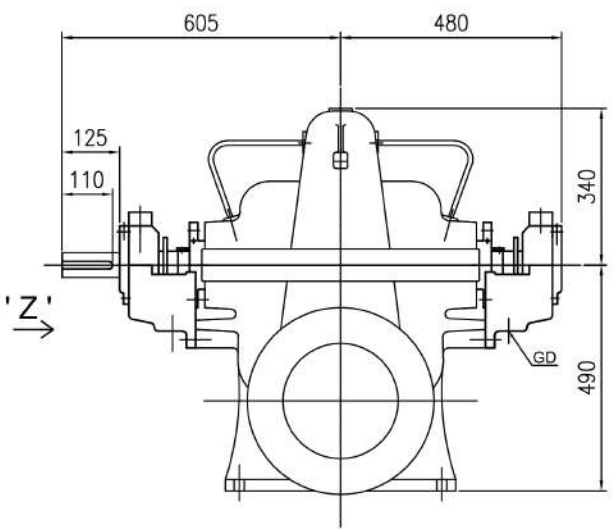
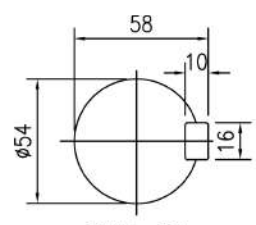


PUMP MODEL - 8HF17

GENERAL ARRANGEMENT DRAWING FOR SINGLE STAGE AXIALLY SPLIT CASE PUMP MODEL - 8HF17

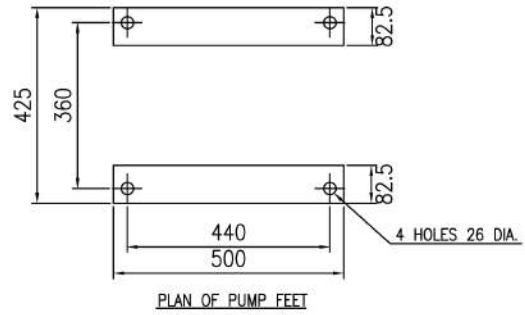


CLOCK-WISE ROTATION
LOOKING FROM DRIVE END



SCALE - 5:1
SHAFT DETAIL AT
COUPLING END

VIEW IN DIRECTION OF ' Z '



APPROX. NET WEIGHT - 615kg.
ALL DIMENSIONS ARE IN MM.

FISHER PUMP

CONNECTION		
ITEM	DESCRIPTION	SIZE(NPT)
GD	GLAND DRAIN	3/4"
CG	COMPOUND GAUGE FOR SUCTION	3/8"
PG	PRESSURE GAUGE FOR DELIVERY	3/8"
AC	AIR COCK	1/2"
PM	PRIMING	1"
CDS	CASING DRAIN(SUCTION SIDE)	3/4"
CDD	CASING DRAIN(DELIVERY SIDE)	3/4"

** GAUGE CONNECTIONS DRILLED AND TAPPED ONLY
WHEN SPECIFICALLY REQUESTED BY THE CUSTOMER.

S	PN 16	405	355	26	12, Ø26															
D	PN 16							340	295	24	12, Ø22									
	TYPE OF FLANGE	O.D.	P.C.D.	THK MIN	NO. SIZE OF HOLE	RF	ØRF. THK RF FLANGE	O.D.	P.C.D.	THK MIN	NO. SIZE OF HOLE	RF	ØRF. THK RF FLANGE	SUCTION - Ø250					DELIVERY - Ø200	REV

REV	DESCRIPTION	TOLLERANCE	DRN	CHKD

TITLE - GA. DRG. FOR 8HF17		<small>REVISION HISTORY</small> <small>REV. NO.</small> <small>DATE</small> <small>REV. NO.</small> <small>DATE</small> <small>REV. NO.</small> <small>DATE</small>		
DRG. NO. PSF/8HF17/GA-01	8142640	<small>DRN</small> <small>AD</small> <small>04.04.16</small> <small>CHKD</small> <small>SP</small> <small>04.04.16</small> <small>APPD</small> <small>HS</small> <small>04.04.16</small>	<small>SCALE</small> 1:1 <small>REV</small> 0	