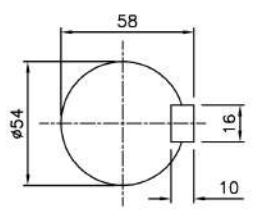
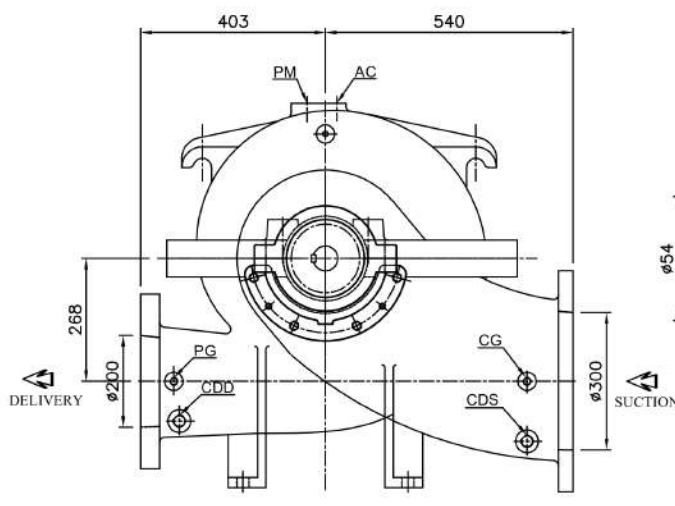
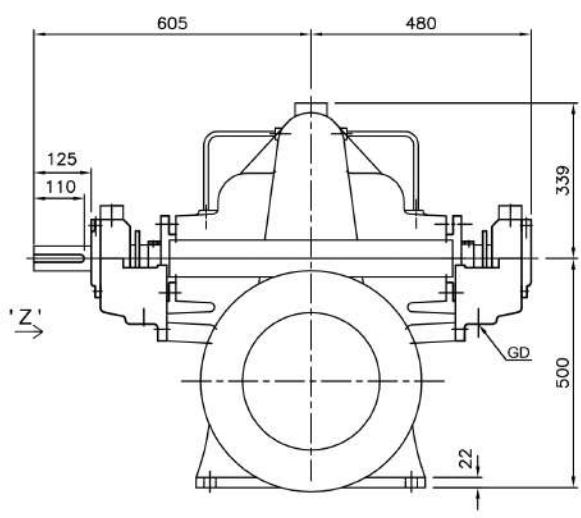


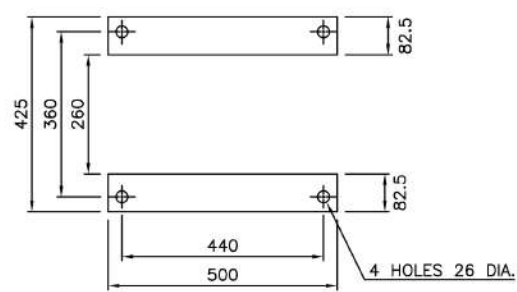
PUMP MODEL- 8HF15

GENERAL ARRANGEMENT DRAWING FOR SINGLE STAGE AXIALLY SPLIT CASE PUMP MODEL - 8HF15



SCALE - 5:1
SHAFT DETAIL AT
COUPLING END

VIEW IN DIRECTION OF ' Z '



PLAN OF PUMP FEET

APPROX. NET WEIGHT -726 kg.
ALL DIMENSIONS ARE IN MM.

CONNECTIONS		
ITEM	DESCRIPTION	SIZE(NPT)
GD	GLAND DRAIN	3/4"
CG	COMPOUND GAUGE FOR SUCTION	3/8"
PG	PRESSURE GAUGE FOR DELIVERY	3/8"
AC	AIR COCK	3/8"
PM	PRIMING	1"
CDS	CASING DRAIN(SUCTION SIDE)	3/4"
CDD	CASING DRAIN(DELIVERY SIDE)	3/4"

S	ANSI 250#FF	20-1/2"	17-3/4"	2"	16, Ø1-1/4"	-	-	15"	13"	1-5/8"	12, Ø1"	-	-	FISHER PUMP TITLE- GA DRAWING FOR 8HF15		SCALE 1:1		
D	ANSI 250#FF																	
REF. NO.	TYPE OF FLANGE.	O.D.	P.C.D.	THK MIN	NO SIZE OF HOLE	RFØ	RF THK R.F. FLANGE	O.D.	P.C.D.	THK MIN	NO. SIZE OF HOLE	RFØ	RF THK R.F. FLANGE	DRN	AD	03.08.17	DRG. NO. PSF/8HF15/GA-01	REV 0
		SUCTION 300 DIA.				DELIVERY 200 DIA				REV	DESCRIPTION		DRN	CHKD	APPD	HS		