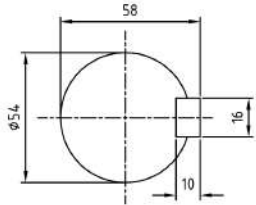
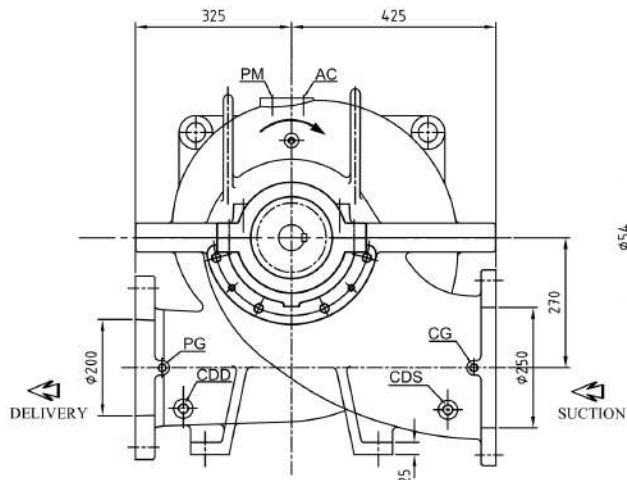
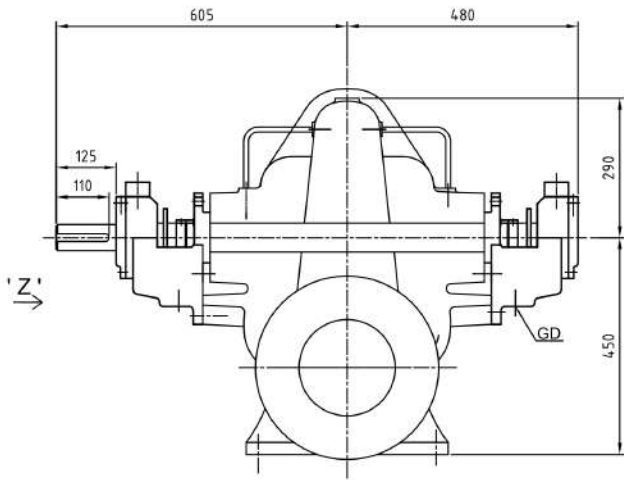
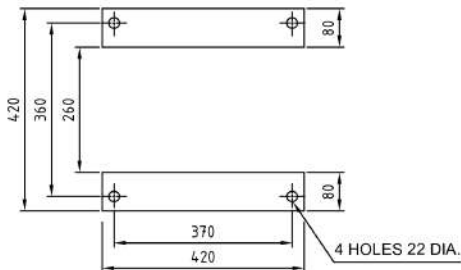


PUMP MODEL- 8HF14

GENERAL ARRANGEMENT DRAWING FOR SINGLE STAGE AXIALLY SPLIT CASE PUMP MODEL - 8HF14



SCALE - 5:1
SHAFT DETAIL AT
COUPLING END



PLAN OF PUMP FEET

APPROX. NET WEIGHT - 623kg.
ALL DIMENSIONS ARE IN MM.

CONNECTION

| ITEM | DESCRIPTION | SIZE(NPT) |
|------|-----------------------------|-----------|
| GD | GLAND DRAIN | 3/4" |
| CG | COMPOUND GAUGE FOR SUCTION | 3/8" |
| PG | PRESSURE GAUGE FOR DELIVERY | 3/8" |
| AC | AIR COCK | 3/8" |
| PM | PRIMING | 3/4" |
| CDS | CASING DRAIN(SUCTION SIDE) | 1/2" |
| CDD | CASING DRAIN(DELIVERY SIDE) | 1/2" |

| REF. NO. | TYPE OF FLANGE | O.D. | P.C.D. | THK MIN | NO. OF HOLES | SIZE OF HOLE | RF | RF THK | O.D. | P.C.D. | THK MIN | NO. OF HOLES | SIZE OF HOLE | RF | RF THK | |
|----------|----------------|---------------------|---------|---------|--------------|--------------------|----|--------|------|--------|---------|--------------|--------------|----|--------|--|
| S | ANSI 125#FF | 16" | 14-1/4" | 1-3/16" | 12 | φ1" | — | — | 15" | 13" | 1-5/8" | 12 | φ1" | — | — | |
| D | ANSI 250#FF | | | | | | | | | | | | | | | |
| | | SUCTION - φ250(10") | | | | DELIVERY - 200(8") | | | | | | | | | | |

FISHER PUMP

TITLE - GA DRAWING FOR 8HF14

DRN AD 23.03.14 DRG. NO. PSF/8HF14/GA-01

CHKD ST 23.03.14

APPD HS 23.03.14

SCALE 1:1
REV 0