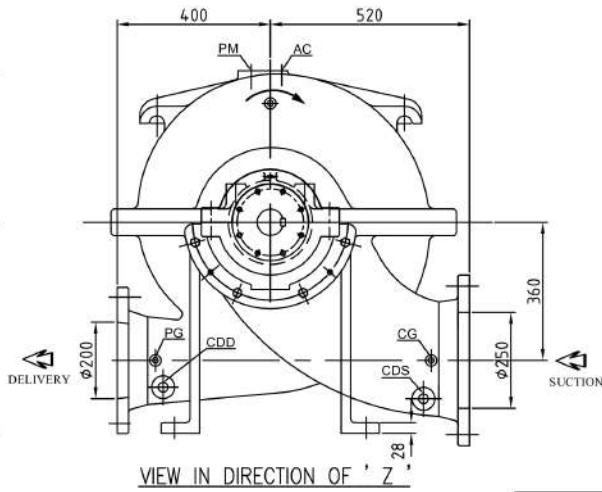
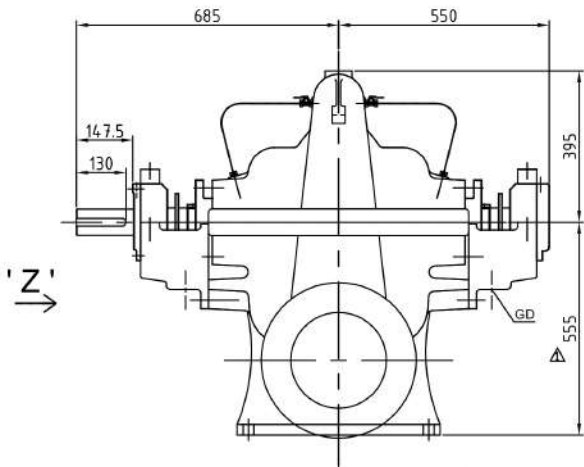
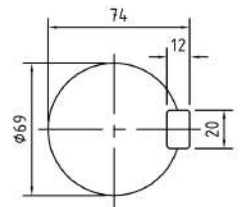


PUMP MODEL - 8HF22

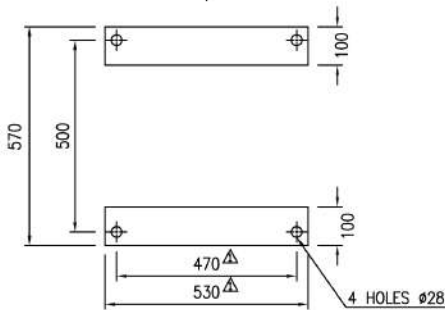
GENERAL ARRANGEMENT DRAWING FOR SINGLE STAGE AXIALLY SPLIT CASE PUMP MODEL - 8HF22



CLOCK-WISE ROTATION
LOOKING FROM DRIVE END



SCALE - 5:1
SHAFT DETAIL AT
COUPLING END



PLAN OF PUMP FEET

APPROX. NET WEIGHT - 900kg.
ALL DIMENSIONS ARE IN MM.

FISHER PUMP

CONNECTIONS		
ITEM	DESCRIPTION	SIZE(NPT)
GD	GLAND DRAIN	1"
CG	COMPOUND GAUGE FOR SUCTION	3/8"
PG	PRESSURE GAUGE FOR DELIVERY	3/8"
AC	AIR COCK	3/8"
PM	PRIMING	1-1/2"
CDS	CASING DRAIN(SUCTION SIDE)	1"
CDD	CASING DRAIN(DELIVERY SIDE)	1"

** GAUGE CONNECTIONS DRILLED AND TAPPED ONLY WHEN SPECIFICALLY REQUESTED BY THE CUSTOMER.

PROJECT NAME- _____ JOB NO.- _____

TITLE		SCALE 1:1		
GA DRG. FOR 8HF22				
DRN	ST	DRG. NO. PSF/8HF22/GA-01/1		
CHKD	SP			
APPD	HS			
REV	DESCRIPTION	DRN	CHKD	DATE

S	ANSI 125FF	16'	4-1/4'	1-3/16'	12 Ø1'										
D	ANSI 250FF					15'	13'	1-5/8"	12 Ø1'						
REF. NO.	TYPE OF FLANGE.	O.D.	P.C.D.	THK MIN	NO OF HOLES	SIZE OF HOLES	RF OF FLANGE	RF THK	O.D.	P.C.D.	THK MIN	NO OF HOLES	SIZE OF HOLES	RF OF FLANGE	RF THK
		SUCTION 250 (10") I.D.				DELIVERY 200 (8") I.D.									

1	DIMENSION 555,470 & 530mm PREVIOUSLY IT WAS 530,455 & 520mm RESPECTIVELY DIMENSION CHANGED FOR STANDARDIZE SPLIT CASE GROUP 4 MODELS.	AD	ST	10.09.17
REV	DESCRIPTION	DRN	CHKD	DATE