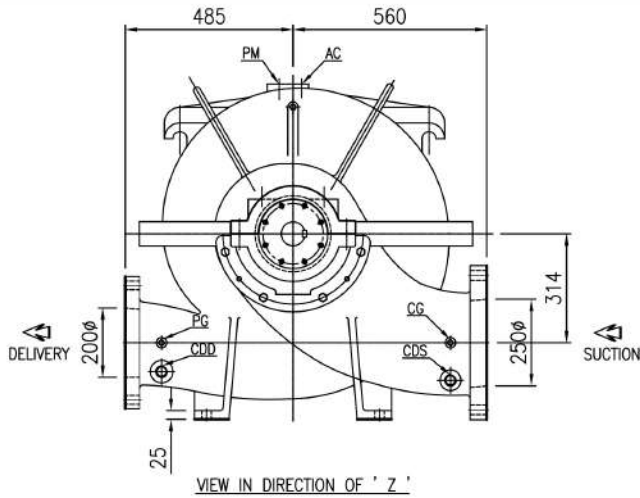
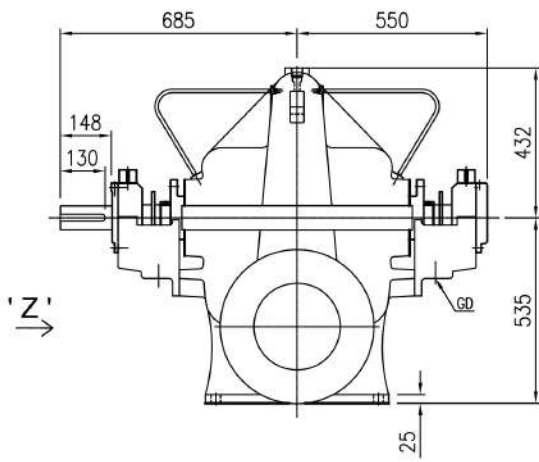
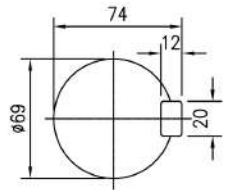


PUMP MODEL - 8HF20

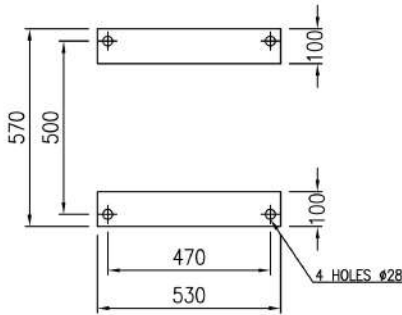
GENERAL ARRANGEMENT DRAWING FOR SINGLE STAGE AXIALLY SPLIT CASE PUMP MODEL - 8HF20



CLOCK-WISE ROTATION
LOOKING FROM DRIVE END



SCALE - 5:1
SHAFT DETAIL AT
COUPLING END



PLAN OF PUMP FEET

APPROX. NET WEIGHT - 860kg.
ALL DIMENSIONS ARE IN MM.

FISHER PUMP

| CONNECTIONS | | |
|-------------|-----------------------------|-----------|
| ITEM | DESCRIPTION | SIZE(NPT) |
| GD | GLAND DRAIN | 1" |
| CG | COMPOUND GAUGE FOR SUCTION | 3/8" |
| PG | PRESSURE GAUGE FOR DELIVERY | 3/8" |
| AC | AIR COCK | 3/8" |
| PM | PRIMING | 1-1/2" |
| CDS | CASING DRAIN(SUCTION SIDE) | 1" |
| CDD | CASING DRAIN(DELIVERY SIDE) | 1" |

** GAUGE CONNECTIONS BLENDED AND TAPPED ONLY
STAIN RESISTANT MATERIALS BY THE CUSTOMER

| | |
|-------------------|-------------|
| PROJECT NAME- | JOB NO.- |
| TITLE- | |
| GA DRG. FOR 8HF20 | |
| DRN | AD 18.09.19 |
| CHKD | TK 18.09.19 |
| APPD | BS 18.09.19 |
| DRG. NO. | 831GA10Y |
| SCALE | 1:1 |
| REV | 0 |

| S | ANSI#250 | 17-1/2" | 15-1/4" | 1-7/8" | 16, Ø1-1/8" | | | | | | | | | | |
|----------|-----------------|----------------|---------|---------|-------------------------|-----------------|--------------------|------|--------|---------|-------------------------|-----|--------------------|--|--|
| D | ANSI#250 | | | | | | | 15" | 13" | 1-5/8" | 12, Ø1" | | | | |
| REF. NO. | TYPE OF FLANGE. | O.D. | P.C.D. | THK MIN | NO SIZE OF HOLE OFF C/L | RFØ | RF THK R.F. FLANGE | O.D. | P.C.D. | THK MIN | NO SIZE OF HOLE OFF C/L | RFØ | RF THK R.F. FLANGE | | |
| | | SUCTION - Ø250 | | | | DELIVERY - Ø200 | | | | | | | | | |

| REV | DESCRIPTION | DRN | CHKD | DATE |
|-----|-------------|-----|------|------|
| | | | | |