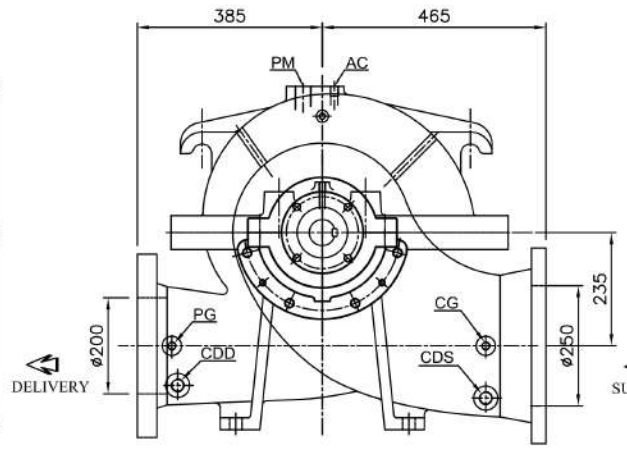
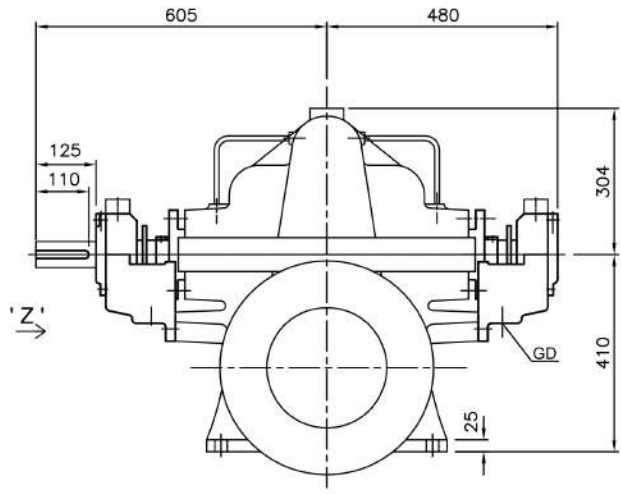
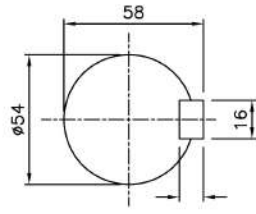


PUMP MODEL- 8HF13

GENERAL ARRANGEMENT DRAWING FOR SINGLE STAGE AXIALLY SPLIT CASE PUMP MODEL - 8HF13

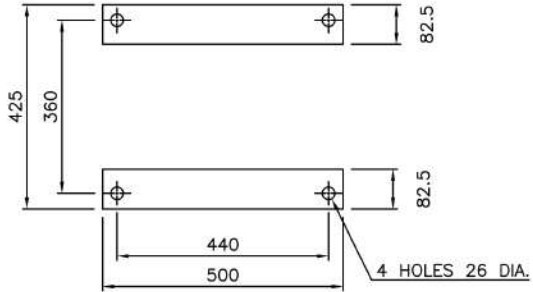


CLOCK-WISE ROTATION  
LOOKING FROM DRIVE END



SCALE - 5:1  
SHAFT DETAIL AT  
COUPLING END

VIEW IN DIRECTION OF ' Z '



PLAN OF PUMP FEET

APPROX. NET WEIGHT - 620.5kg.  
ALL DIMENSIONS ARE IN MM.

CONNECTIONS

ITEM	DESCRIPTION	SIZE(NPT)
GD	GLAND DRAIN	3/4"
CG	COMPOUND GAUGE FOR SUCTION	3/8"
PG	PRESSURE GAUGE FOR DELIVERY	3/8"
AC	AIR COCK	3/8"
PM	PRIMING	1"
CDS	CASING DRAIN(SUCTION SIDE)	3/4"
CDD	CASING DRAIN(DELIVERY SIDE)	3/4"

S	ANSI 125#FF	16"	14-1/4"	1-3/16"	12, #1"	-	-	15"	13"	1-5/8"	12, #1"	-	-
D	ANSI 250#FF												
REF. NO.	TYPE OF FLANGE.	O.D.	P.C.D.	THK MIN	NO SIZE OF HOLE	RF Ø	RF THK R.F. FLANGE	O.D.	P.C.D.	THK MIN	NO. SIZE OF HOLE	RF Ø	RF THK R.F. FLANGE
		SUCTION 250 DIA.						DELIVERY 200 DIA					

										<b>FISHER PUMP</b>				
										TITLE- GA DRAWING FOR 8HF13				
1	CASING FEET PATTERN CHANGED FEET THICKNESS 20MM INSTEAD OF 24 MM	AD	ST	17.05.18	DRN	AD	21.12.16	DRG. NO.		PSF/8HF13/GA-01		REV	1	
REV	DESCRIPTION	DRN	CHKD	DATE	APPD	HS	21.12.16							