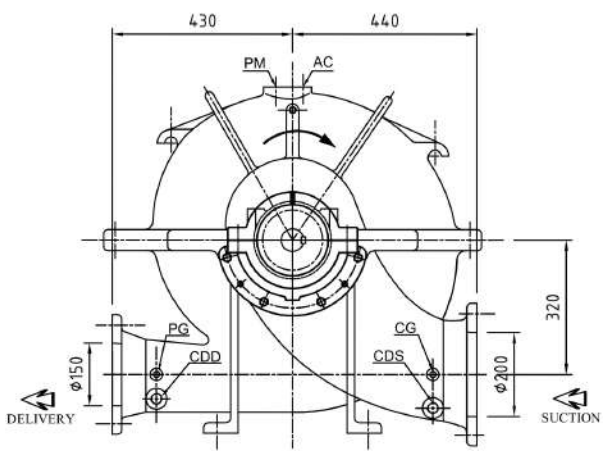
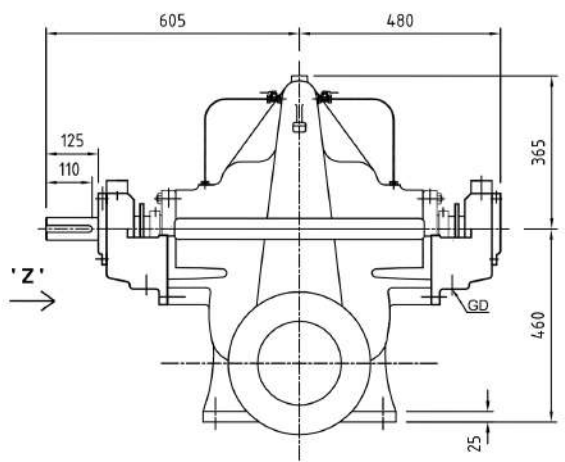
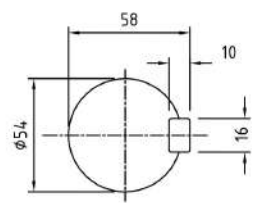


PUMP MODEL - 6HF21

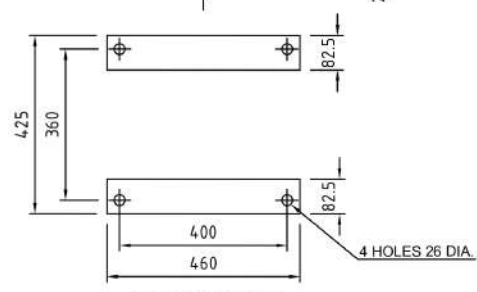
GENERAL ARRANGEMENT DRAWING FOR SINGLE STAGE AXIALLY SPLIT CASE PUMP MODEL - 6HF21



CLOCK-WISE ROTATION
LOOKING FROM DRIVE END



SCALE - 5:1
DETAIL OF SHAFT
AT COUPLING END



PLAN OF PUMP FEET

VIEW IN DIRECTION OF 'Z'

APPROX. NET WEIGHT - 600kg.
ALL DIMENSIONS ARE IN MM.

FISHER PUMP

CONNECTION		
ITEM	DESCRIPTION	SIZE(NPT)
GD	GLAND DRAIN	1/2"
CG	COMPOUND GAUGE FOR SUCTION	3/8"
PG	PRESSURE GAUGE FOR DELIVERY	3/8"
AC	AIR COCK	3/8"
PM	PRIMING	3/4"
CDS	CASING DRAIN(SUCTION SIDE)	3/4"
CDD	CASING DRAIN(DELIVERY SIDE)	3/4"

** GAUGE CONNECTIONS DRILLED AND TAPPED ONLY WHEN SPECIFICALLY REQUESTED BY THE CUSTOMER.

S	PN 16	340	295	24	12, Ø22	—	—												
D	PN 16							285	240	22	8, Ø22	—	—						
REF. NO.	TYPE OF FLANGE	O.D.	P.C.D.	THK MIN	NO. OF HOLES	SIZE OF HOLE	RF	DRF	THK OF FLANGE	O.D.	P.C.D.	THK MIN	NO. OF HOLES	SIZE OF HOLE	RF	DRF	THK OF FLANGE		
		SUCTION - Ø200(8")						DELIVERY - Ø150(6")											

REV	DESCRIPTION	TOLERANCE	DRN	CHKD	DATE	TITLE- GA DRG. FOR 6HF21		DRG. NO. PSF/6HF21/GA-01		8172640		DIN AD 05.04.18		DIN SP 05.04.18		DIN JB 05.04.18		SCALE 1:1	REV 0
-----	-------------	-----------	-----	------	------	--------------------------	--	--------------------------	--	---------	--	-----------------	--	-----------------	--	-----------------	--	-----------	-------