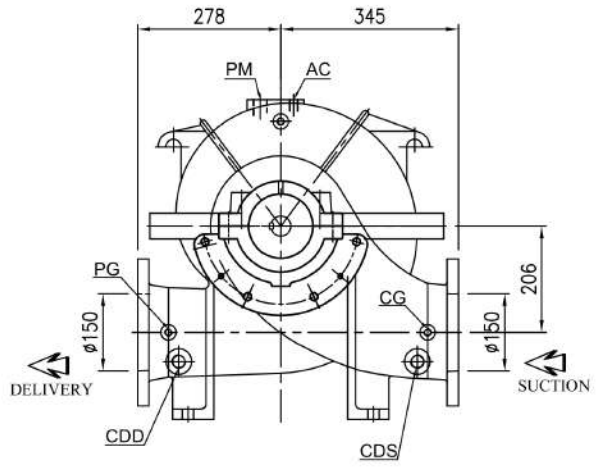
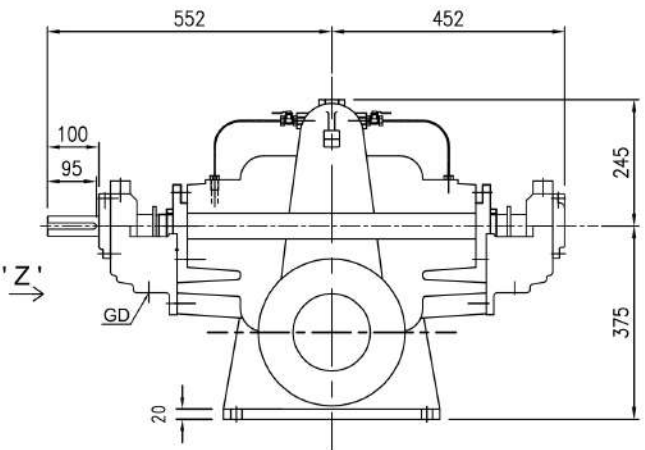
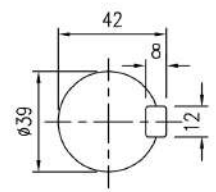


PUMP MODEL - 6HF10

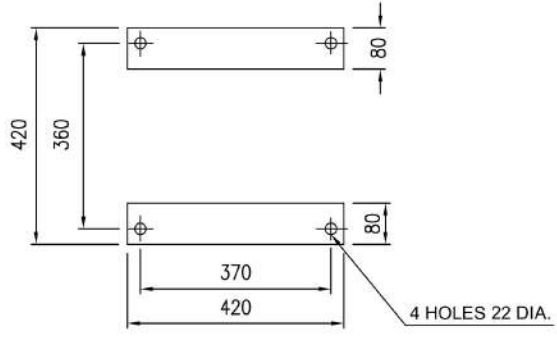
GENERAL ARRANGEMENT DRAWING FOR SINGLE STAGE AXIALLY SPLIT CASE PUMP MODEL - 6HF10



CLOCK-WISE ROTATION
LOOKING FROM DRIVE END



SCALE - 5:1
SHAFT DETAIL AT
COUPLING END



PLAN OF PUMP FEET

APPROX. NET WEIGHT - 334kg.
ALL DIMENSIONS ARE IN MM.

CONNECTION		
ITEM	DESCRIPTION	SIZE(NPT)
GD	GLAND DRAIN	1/2"
CG	COMPOUND GAUGE FOR SUCTION	3/8"
PG	PRESSURE GAUGE FOR DELIVERY	3/8"
AC	AIR COCK	3/8"
PM	PRIMING	3/4"
CDS	CASING DRAIN(SUCTION SIDE)	3/4"
CDD	CASING DRAIN(DELIVERY SIDE)	3/4"

** GAUGE CONNECTIONS DRILLED AND TAPPED ONLY
WHEN SPECIFICALLY REQUESTED BY THE CUSTOMER.

REF. NO.	TYPE OF FLANGE.	O.D.	P.C.D.	THK MIN	NO SIZE OF HOLE	RF R.F. FLANGE	THK	O.D.	P.C.D.	THK MIN	NO SIZE OF HOLE	RF R.F. FLANGE	THK
S	ANSI 125#FF	11"	9-1/2"	1"	8, 7/8"			12-1/2"	10-5/8"	7/16"	12, 7/8"		
D	ANSI 250#FF												
		SUCTION ~ $\phi 150$ (6")						DELIVERY ~ $\phi 150$ (6")					

REV	DESCRIPTION	DRN	CHKD	APPD

FISHER PUMP

TITLE
GA DRAWING FOR 6HF10 (CW)

DRN AD 11.08.16 DRG. NO.
CHKD ST 11.08.16
APPD HS 11.08.16 6HF10/GA-01/0

SCALE
1:1

REV
0