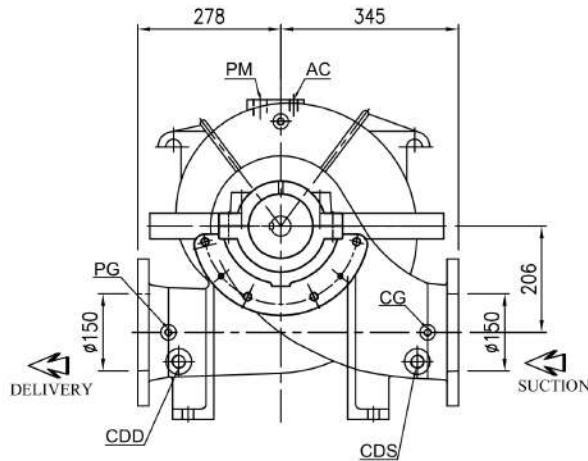
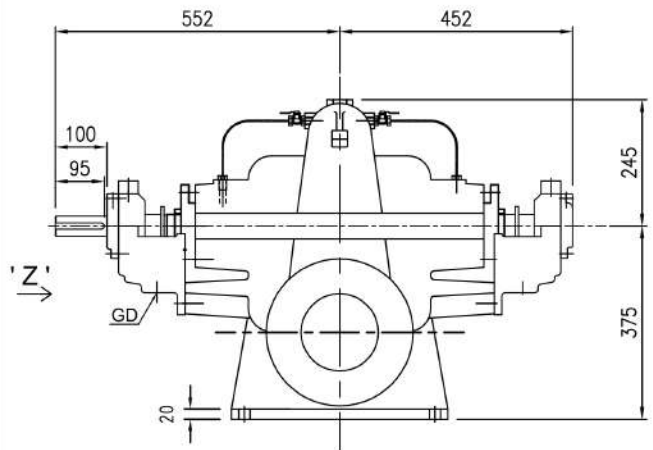
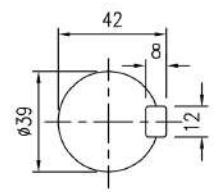


PUMP MODEL - 6HF10

GENERAL ARRANGEMENT DRAWING FOR SINGLE STAGE AXIALLY SPLIT CASE PUMP MODEL - 6HF10



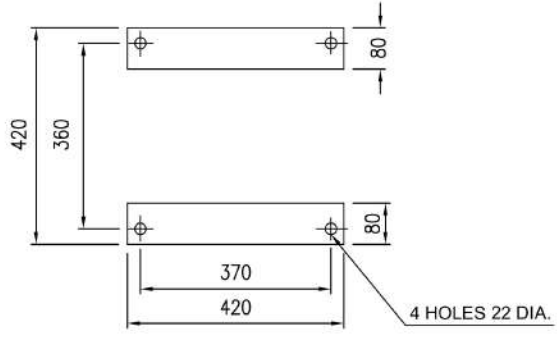
CLOCK-WISE ROTATION
LOOKING FROM DRIVE END



SCALE - 5:1
SHAFT DETAIL AT
COUPLING END

VIEW IN DIRECTION OF 'Z'

APPROX. NET WEIGHT - 334kg.
ALL DIMENSIONS ARE IN MM.



PLAN OF PUMP FEET

CONNECTION		
ITEM	DESCRIPTION	SIZE(NPT)
GD	GLAND DRAIN	1/2"
CG	COMPOUND GAUGE FOR SUCTION	3/8"
PG	PRESSURE GAUGE FOR DELIVERY	3/8"
AC	AIR COCK	3/8"
PM	PRIMING	3/4"
CDS	CASING DRAIN(SUCTION SIDE)	3/4"
CDD	CASING DRAIN(DELIVERY SIDE)	3/4"

** GAUGE CONNECTIONS DRILLED AND TAPPED ONLY
WHEN SPECIFICALLY REQUESTED BY THE CUSTOMER.

<table border="1"> <tr> <td>S</td> <td>ANSI 125#FF</td> <td>11"</td> <td>9-1/2"</td> <td>1"</td> <td>8, Ø7/8"</td> <td></td> <td></td> <td></td> <td></td> <td></td> <td></td> </tr> <tr> <td>D</td> <td>ANSI 250#FF</td> <td></td> <td></td> <td></td> <td></td> <td>12-1/2"</td> <td>11-5/8"</td> <td>7/16"</td> <td>12, Ø7/8"</td> <td></td> <td></td> </tr> </table>												S	ANSI 125#FF	11"	9-1/2"	1"	8, Ø7/8"							D	ANSI 250#FF					12-1/2"	11-5/8"	7/16"	12, Ø7/8"			<p>FISHER PUMP</p>				
S	ANSI 125#FF	11"	9-1/2"	1"	8, Ø7/8"																																			
D	ANSI 250#FF					12-1/2"	11-5/8"	7/16"	12, Ø7/8"																															
TITLE												SCALE																												
GA DRAWING FOR 6HF10 (CW)												1:1																												
DRN AD 11.08.16 DRG. NO.												REV																												
CHKD ST 11.08.16												0																												
APPD HS 11.08.16 6HF10/GA-01/0																																								
REF. NO.	TYPE OF FLANGE.	O.D.	P.C.D.	THK MIN	NO SIZE OF HOLE	RF Ø	RF THK	R.F. FLANGE	O.D.	P.C.D.	THK MIN	NO SIZE OF HOLE	RF Ø	RF THK	R.F. FLANGE	REV	DESCRIPTION	DRN	CHKD	APPD																				
		SUCTION ~ Ø150 (6")						DELIVERY ~ Ø150 (6")																																