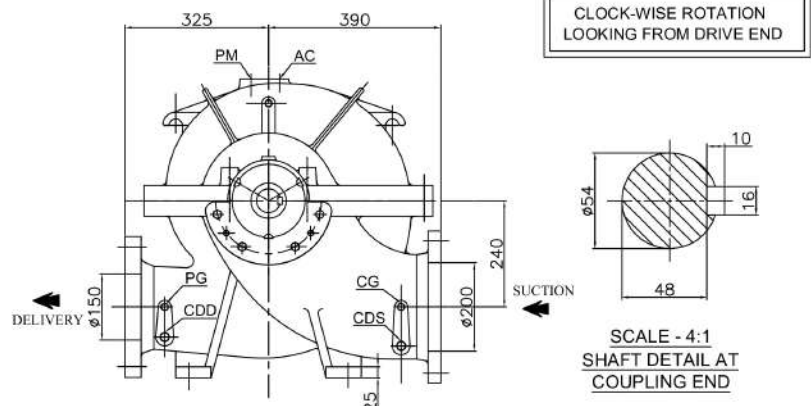
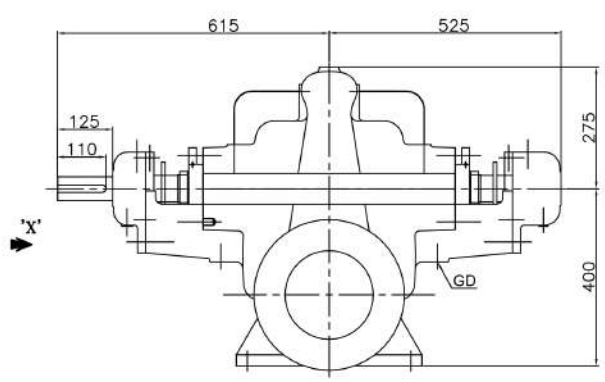
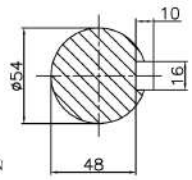


PUMP MODEL - 6HF13

**GENERAL ARRANGEMENT DRAWING FOR SINGLE STAGE AXIALLY SPLIT CASE PUMP MODEL - 6HF13**



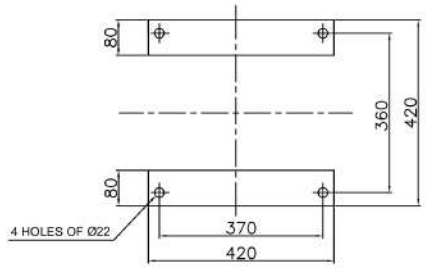
CLOCK-WISE ROTATION  
LOOKING FROM DRIVE END



SCALE - 4:1  
SHAFT DETAIL AT  
COUPLING END

VIEW IN DIRECTION OF 'X'

APPROX. NETT WEIGHT - 464kg.  
ALL DIMENSIONS ARE IN MM.



PLAN OF PUMP FEET

CONNECTION		
ITEM	DESCRIPTION	SIZE (NPT)
GD	GLAND DRAIN	3/4"
CG	COMP. GAUGE FOR SUCTION	3/8"
PG	PR. GAUGE FOR DELIVERY	3/8"
AC	AIR COCK	3/8"
PM	PRIMING	3/4"
CDS	CASING DRAIN (SUCT.SIDE)	1/2"
CDD	CASING DRAIN (DELY.SIDE)	1/2"

**FLANGE TABLE**

S	ANSI 125RFF	13-1/2"	11-3/4"	1-1/8"	8, Ø 7/8"	—	—	12-1/2"	10-5/8"	1-7/16"	12, Ø 7/8"	—	—	FISHER PUMP				TITLE—	SCALE					
														GA DRAWING FOR 6HF13						DRN	CHKD	APPD	HS	DRG. NO.
REF. NO.	TYPE OF FLANGE	O.D.	P.C.D.	THK MIN	NO. SIZE OF HOLE	RF	Ø RF. THK RF FLANGE	O.D.	P.C.D.	THK MIN	NO. SIZE OF HOLE	RF	Ø RF. THK RF FLANGE	REV	DESCRIPTION	DRN	CHKD	APPD	HS	DRG. NO.	6HF13/GA-01(0)/0	8092640-1	1:1	0
		SUCTION- 200(8")						DELIVERY- 150(6")																