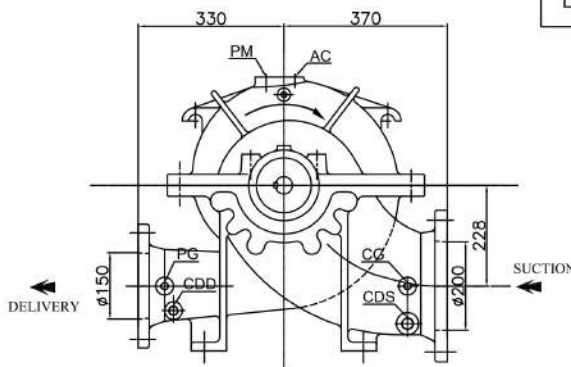
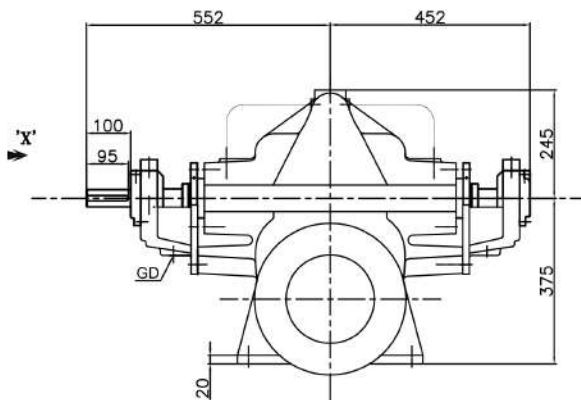
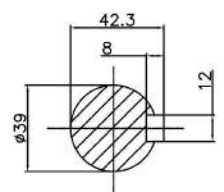


PUMP MODEL - 6HF12

GENERAL ARRANGEMENT DRAWING FOR SINGLE STAGE AXIALLY SPLIT CASE PUMP MODEL - 6HF12

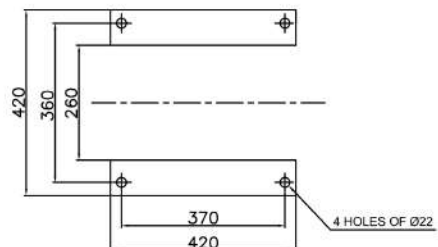


CLOCK-WISE ROTATION
LOOKING FROM DRIVE END



SCALE - 5:1
SHAFT DETAIL AT
COUPLING END

VIEW IN DIRECTION OF ' X '



PLAN OF PUMP FEET

APPROX. NETT WEIGHT - 392kg.
ALL DIMENSIONS ARE IN MM.

CONNECTION		
ITEM	DESCRIPTION	1-F
GD	GLAND DRAIN	1/2"
CG	COMP. GAUGE FOR SUCTION	3/8"
PG	PR. GAUGE FOR DELIVERY	3/8"
AC	AIR COCK	3/8"
PM	PRIMING	3/4"
CDS	CASING DRAIN(SUCT.SIDE)	1/2"
CDD	CASING DRAIN(DELV.SIDE)	1/2"

FLANGE TABLE

REF. NO.	TYPE OF FLANGE	SUCTION - 200(8")				DELIVERY - 150(6")			
		O.D.	P.C.D.	THK MIN	NO. SIZE OF HOLE	O.D.	P.C.D.	THK MIN	NO. SIZE OF HOLE
S	ANSI 125HFF	13-1/2"	11-3/4"	1-1/8"	8, Ø 7/8"				
D	ANSI 250HFF					12-1/2"	10-5/8"	1-7/16"	12, Ø 7/8"

FISHER PUMP

TITLE				SCALE 1:1					
GA DRAWING FOR 6HF12									
DRN	AS	13.06.13	DRG. NO.	8072640					
CHKD	AS	13.06.13	PSF/6HF12/GA-01/0						
APPD	HS	13.06.13							
REV			DESCRIPTION	DRN	CHKD	APPD	HS	REV	0