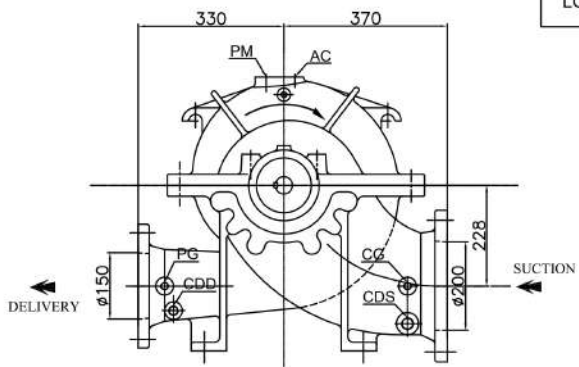
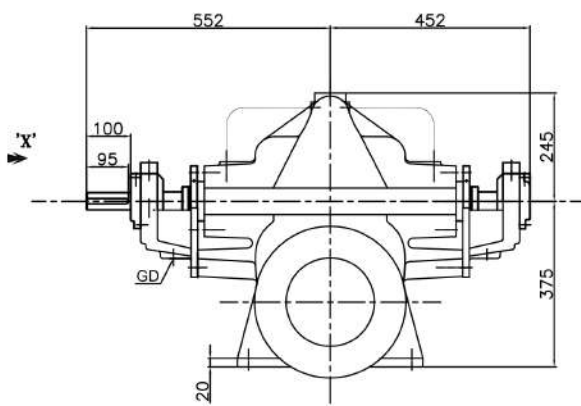
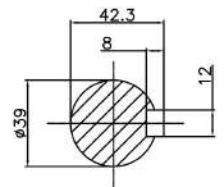


PUMP MODEL - 6HF12

**GENERAL ARRANGEMENT DRAWING FOR SINGLE STAGE AXIALLY SPLIT CASE PUMP MODEL - 6HF12**

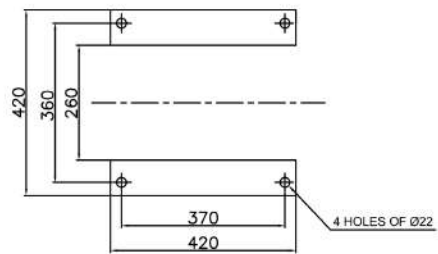


CLOCK-WISE ROTATION  
LOOKING FROM DRIVE END



SCALE - 5:1  
SHAFT DETAIL AT  
COUPLING END

VIEW IN DIRECTION OF ' X '



PLAN OF PUMP FEET

APPROX. NETT WEIGHT - 392kg.  
ALL DIMENSIONS ARE IN MM.

CONNECTION		
ITEM	DESCRIPTION	1-F
GD	GLAND DRAIN	1/2"
CG	COMP. GAUGE FOR SUCTION	3/8"
PG	PR. GAUGE FOR DELIVERY	3/8"
AC	AIR COCK	3/8"
PM	PRIMING	3/4"
CDS	CASING DRAIN(SUCT.SIDE)	1/2"
CDD	CASING DRAIN(DELY.SIDE)	1/2"

**FLANGE TABLE**

REF. NO.	TYPE OF FLANGE	O.D.	P.C.D.	THK MIN	NO. SIZE OF HOLE	RF	ØRF.THK	RF FLANGE	O.D.	P.C.D.	THK MIN	NO. SIZE OF HOLE	RF	ØRF.THK	RF FLANGE
S	ANSI 125HFF	13-1/2"	11-3/4"	1-1/8"	8, Ø 7/8"	—	—	—	—	—	—	—	—	—	—
D	ANSI 250HFF	—	—	—	—	—	—	—	12-1/2"	10-5/8"	1-7/16"	12, Ø 7/8"	—	—	—
		<b>SUCTION - 200(8")</b>								<b>DELIVERY - 150(6")</b>					

**FISHER PUMP**

TITLE				SCALE	
GA DRAWING FOR 6HF12				1:1	
DRN	AS	13.06.13	DRG. NO.	8072640	
CHKD	AS	13.06.13	PSF/6HF12/GA-01/0	REV	0