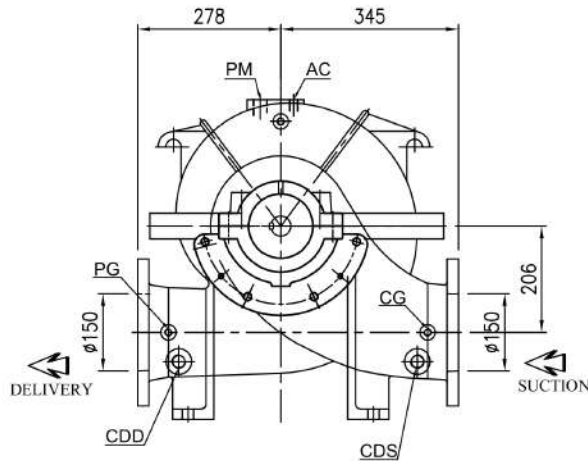
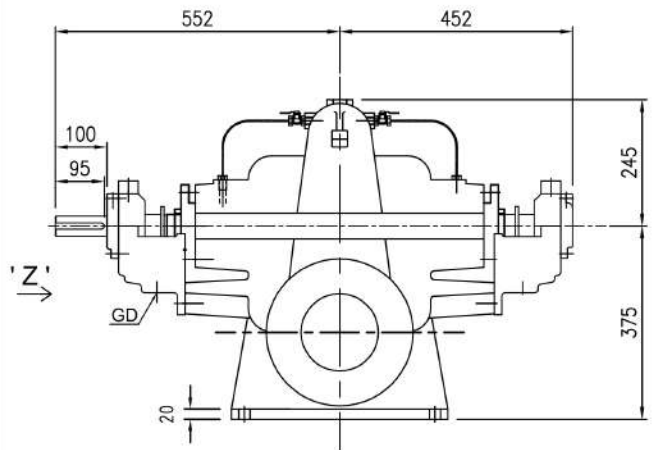
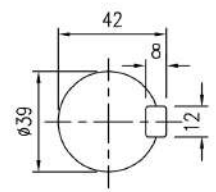


PUMP MODEL - 6HF10

GENERAL ARRANGEMENT DRAWING FOR SINGLE STAGE AXIALLY SPLIT CASE PUMP MODEL - 6HF10



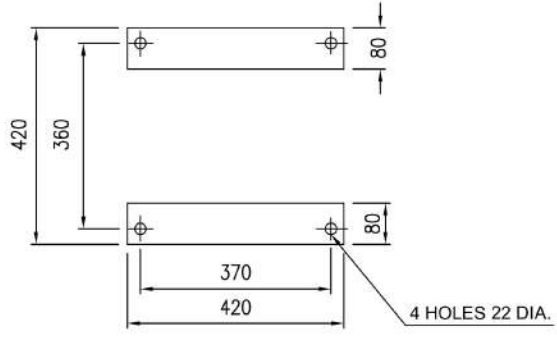
CLOCK-WISE ROTATION
LOOKING FROM DRIVE END



SCALE - 5:1
SHAFT DETAIL AT
COUPLING END

VIEW IN DIRECTION OF 'Z'

APPROX. NET WEIGHT - 334kg.
ALL DIMENSIONS ARE IN MM.



PLAN OF PUMP FEET

CONNECTION		
ITEM	DESCRIPTION	SIZE(NPT)
GD	GLAND DRAIN	1/2"
CG	COMPOUND GAUGE FOR SUCTION	3/8"
PG	PRESSURE GAUGE FOR DELIVERY	3/8"
AC	AIR COCK	3/8"
PM	PRIMING	3/4"
CDS	CASING DRAIN(SUCTION SIDE)	3/4"
CDD	CASING DRAIN(DELIVERY SIDE)	3/4"

** GAUGE CONNECTIONS DRILLED AND TAPPED ONLY
WHEN SPECIFICALLY REQUESTED BY THE CUSTOMER.

S	ANSI 125#FF	11"	9-1/2"	1"	8, 7/8"													
D	ANSI 250#FF					12-1/2"	11-5/8"	7/16"	12, 7/8"									
REF. NO.	TYPE OF FLANGE.	O.D.	P.C.D.	THK MIN	NO SIZE OF HOLE	RF 1/2"	RF 1/2"	THK	NO SIZE OF HOLE	RF 1/2"	RF 1/2"	THK	NO SIZE OF HOLE	RF 1/2"	RF 1/2"	THK		
		SUCTION ~ 150 (6")						DELIVERY ~ 150 (6")										

REV	DESCRIPTION	DRN	CHKD	APPD

FISHER PUMP

TITLE		SCALE 1:1
GA DRAWING FOR 6HF10 (CW)		
DRN	AD 11.08.16	DRG. NO. 6HF10/GA-01/0
CHKD	ST 11.08.16	
APPD	HS 11.08.16	
REV		0