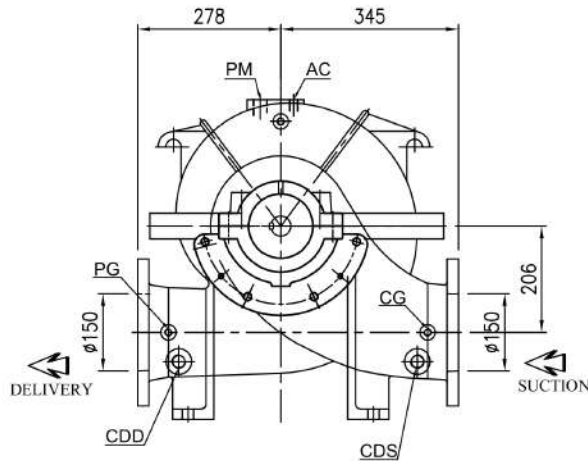
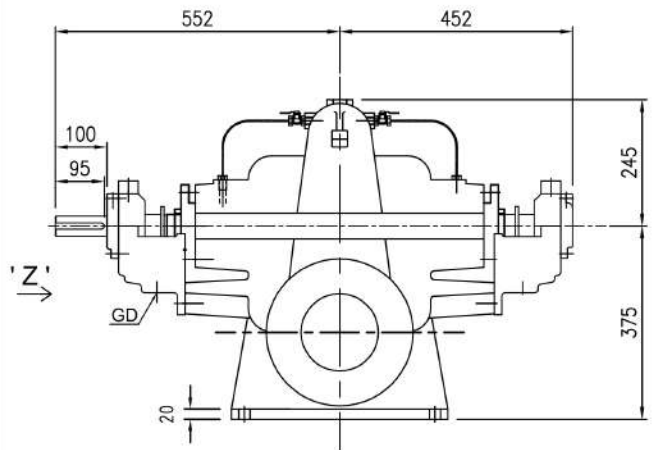
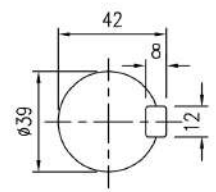


PUMP MODEL - 6HF10

GENERAL ARRANGEMENT DRAWING FOR SINGLE STAGE AXIALLY SPLIT CASE PUMP MODEL - 6HF10



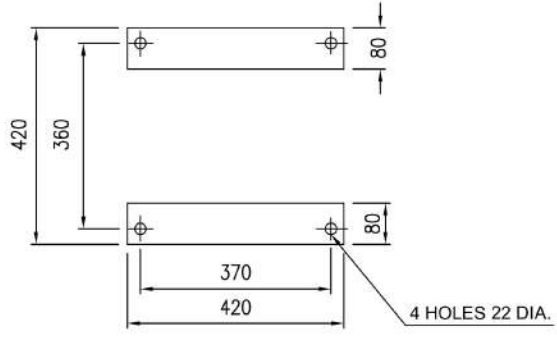
CLOCK-WISE ROTATION
LOOKING FROM DRIVE END



SCALE - 5:1
SHAFT DETAIL AT
COUPLING END

VIEW IN DIRECTION OF 'Z'

APPROX. NET WEIGHT - 334kg.
ALL DIMENSIONS ARE IN MM.



PLAN OF PUMP FEET

CONNECTION		
ITEM	DESCRIPTION	SIZE(NPT)
GD	GLAND DRAIN	1/2"
CG	COMPOUND GAUGE FOR SUCTION	3/8"
PG	PRESSURE GAUGE FOR DELIVERY	3/8"
AC	AIR COCK	3/8"
PM	PRIMING	3/4"
CDS	CASING DRAIN(SUCTION SIDE)	3/4"
CDD	CASING DRAIN(DELIVERY SIDE)	3/4"

** GAUGE CONNECTIONS DRILLED AND TAPPED ONLY
WHEN SPECIFICALLY REQUESTED BY THE CUSTOMER.

<table border="1"> <tr> <td>S</td> <td>ANSI 125#FF</td> <td>11"</td> <td>9-1/2"</td> <td>1"</td> <td>8, 7/8"</td> <td></td> <td></td> <td></td> <td></td> <td></td> <td></td> </tr> <tr> <td>D</td> <td>ANSI 250#FF</td> <td></td> <td></td> <td></td> <td></td> <td>12-1/2"</td> <td>11-5/8"</td> <td>7-1/16"</td> <td>12, 7/8"</td> <td></td> <td></td> </tr> </table>												S	ANSI 125#FF	11"	9-1/2"	1"	8, 7/8"							D	ANSI 250#FF					12-1/2"	11-5/8"	7-1/16"	12, 7/8"			<p>FISHER PUMP</p>				
S	ANSI 125#FF	11"	9-1/2"	1"	8, 7/8"																																			
D	ANSI 250#FF					12-1/2"	11-5/8"	7-1/16"	12, 7/8"																															
TITLE												SCALE																												
GA DRAWING FOR 6HF10 (CW)												1:1																												
DRN AD 11.08.16 DRG. NO.												REV																												
CHKD ST 11.08.16												0																												
APPD HS 11.08.16 6HF10/GA-01/0																																								
REF. NO.	TYPE OF FLANGE.	O.D.	P.C.D.	THK MIN	NO SIZE OF HOLE	RF R.F. FLANGE	THK	O.D.	P.C.D.	THK MIN	NO SIZE OF HOLE	RF R.F. FLANGE	REV	DESCRIPTION	DRN	CHKD	APPD																							
		SUCTION ~ 150 (6")						DELIVERY ~ 150 (6")																																