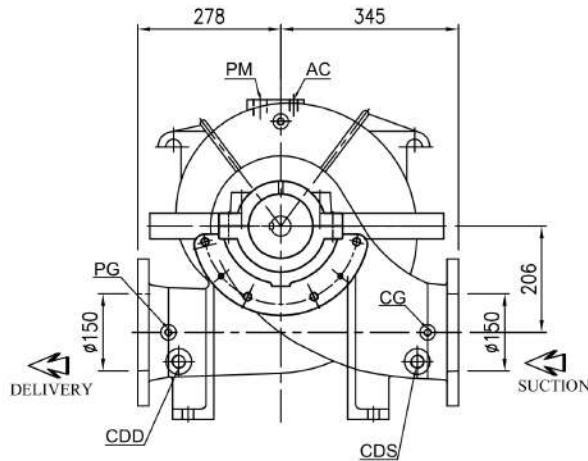
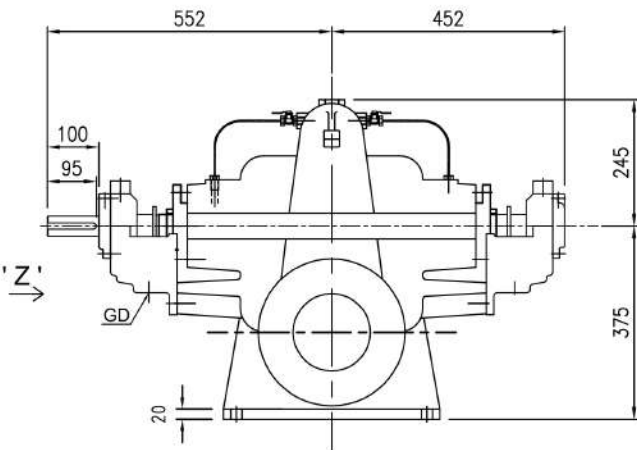
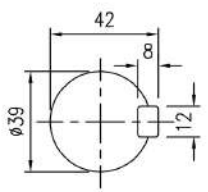


PUMP MODEL - 6HF10

GENERAL ARRANGEMENT DRAWING FOR SINGLE STAGE AXIALLY SPLIT CASE PUMP MODEL - 6HF10

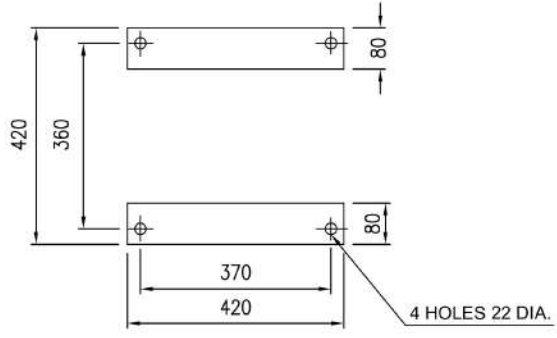


CLOCK-WISE ROTATION
LOOKING FROM DRIVE END



SCALE - 5:1
SHAFT DETAIL AT
COUPLING END

VIEW IN DIRECTION OF 'Z'



PLAN OF PUMP FEET

APPROX. NET WEIGHT - 334kg.
ALL DIMENSIONS ARE IN MM.

CONNECTION		
ITEM	DESCRIPTION	SIZE(NPT)
GD	GLAND DRAIN	1/2"
CG	COMPOUND GAUGE FOR SUCTION	3/8"
PG	PRESSURE GAUGE FOR DELIVERY	3/8"
AC	AIR COCK	3/8"
PM	PRIMING	3/4"
CDS	CASING DRAIN(SUCTION SIDE)	3/4"
CDD	CASING DRAIN(DELIVERY SIDE)	3/4"

** GAUGE CONNECTIONS DRILLED AND TAPPED ONLY WHEN SPECIFICALLY REQUESTED BY THE CUSTOMER.

REF. NO.	TYPE OF FLANGE.	O.D.	P.C.D.	THK MIN	NO OF HOLE	SIZE OF HOLE	RF R.F. FLANGE	RF THK	O.D.	P.C.D.	THK MIN	NO OF HOLE	SIZE OF HOLE	RF R.F. FLANGE	RF THK
S	ANSI 125#FF	11"	9-1/2"	1"	8	7/8"									
D	ANSI 250#FF								12-1/2"	11-5/8"	7/16"	12	7/8"		
		SUCTION~ $\phi 150$ (6")				DELIVERY~ $\phi 150$ (6")									

REV	DESCRIPTION	DRN	CHKD	APPD

FISHER PUMP			
TITLE GA DRAWING FOR 6HF10 (CW)			
DRN	AD	11.08.16	DRG. NO. 6HF10/GA-01/0
CHKD	ST	11.08.16	
APPD	HS	11.08.16	
			REV 0